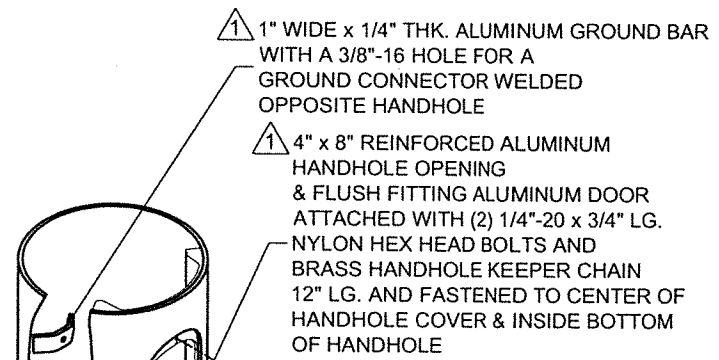


POLE RATING (PER AASHTO 2013):
 3-SEC GUST WIND SPEED: 90 MPH MAX
 EPA (LUMINAIRE): 1.3 SQ. FT. MAX
 WEIGHT (LUMINAIRE): 55 LBS MAX



NOTE:
 3 7/16" x 6 3/32" MIN. DEBURRED
 CLEAR OPENING

TYPE OP403-8-8
 TYPE OP403-12-12
 TYPE OP403-15-15

DO NOT SCALE



Valmont Industries, Inc. Structures Division
 20805 Eaton Ave Farmington, Minnesota 55024-7932
 Phone: (651) 463-8990 (800) 899-7577
 Fax: (651) 463-3349

TITLE:	S	TRANSFORMER BASE ALUMINUM POLE	QTY:
MODEL NO.:	360860107T4F		OWN BY:
MATERIAL:	ALUMINUM ALLOY		PVB
FINISH:	100 GRIT SATIN POLISH		CHK'D BY:
PROJECT:			APPR BY:
SOLD TO:	CITY OF OVERLAND PARK, KS		MP
SHIP TO:			DATE:
P.O. NO.:			09-22-17
REP:	POWER EQUIPMENT SALES		DWG NO.:
			DSOP
			PAGE:
			8 / 18

****CONFIDENTIAL****

The information contained in this drawing is privileged and confidential, and may be protected from disclosure. Please be aware that any use or dissemination of this drawing may be subject to legal restriction or sanction.

REV	DATE	REVISION DESCRIPTION	BY
△	04/06/18	UPDATED NOTES & J-HOOK SIZE	KPS
△		REVISION DESCRIPTION	