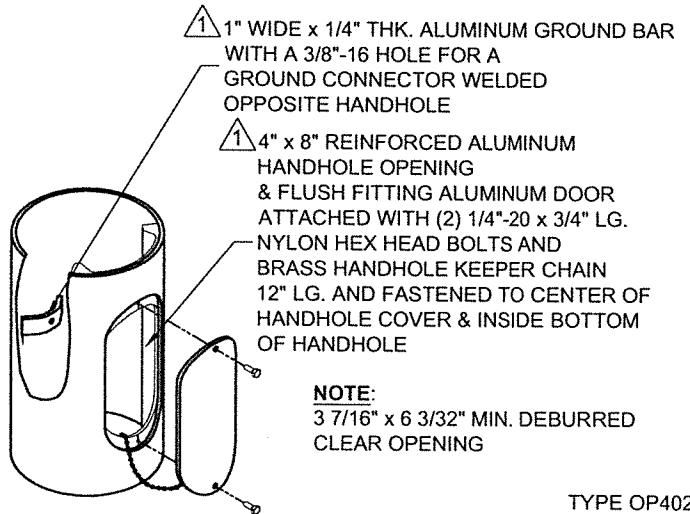


**POLE RATING (PER AASHTO 2013):**  
 3-SEC GUST WIND SPEED: 90 MPH MAX  
 EPA (LUMINAIRE): 1.3 SQ. FT. MAX  
 WEIGHT (LUMINAIRE): 55 LBS MAX



**NOTE:**  
 3 7/16" x 6 3/32" MIN. DEBURRED  
 CLEAR OPENING

TYPE OP402-10  
 TYPE OP402-12  
 TYPE OP402-15

DO NOT SCALE



Valmont Industries, Inc. Structures Division  
 20805 Eaton Ave Farmington, Minnesota 55024-7932  
 Phone: (651) 463-8990 (800) 899-7577  
 Fax: (651) 463-3349

TITLE:	S	TRANSFORMER BASE ALUMINUM POLE	QTY:
MODEL NO.:	360860807T4E		OWN BY:
MATERIAL:	ALUMINUM ALLOY		PVB
FINISH:	100 GRIT SATIN POLISH		CHK'D BY:
PROJECT:	CITY OF OVERLAND PARK, KS		APPR BY:
SOLD TO:	CITY OF OVERLAND PARK, KS		Mps
SHIP TO:			DATE:
P.O. NO.:			09-22-17
REP:	POWER EQUIPMENT SALES		DWG NO.:
			DSOP
			PAGE:
			7 / 18

**\*\*CONFIDENTIAL\*\***

The information contained in this drawing is privileged and confidential, and may be protected from disclosure. Please be aware that any use or dissemination of this drawing may be subject to legal restriction or sanction.

REV	DATE	REVISION DESCRIPTION	BY
1	04/06/18	UPDATED NOTES & J-HOOK SIZE	KPS
		REVISION DESCRIPTION	