

Catalog Number		PPSQL2-P20-40K-MVOLT-GL-T5R-SSM-AO PPSQL2-P80-40K-MVOLT-GL-T5R-SSM-AO
Notes	Type	

Parkpak® LED



Mechanical

- Heavy grade A360 cast aluminum coupled with a rigorous 5-stage pretreatment, epoxy basecoat and polyester topcoat yield a finish that achieves a scribe creepage rating of 8 after 5,000 hours of salt spray.
- Mounts to a standard junction box
- Provide a swivel kit for pendant mount applications that is secured to a 4 inch square electrical box
- Wet location listed
- IP66 rating
- 3/4" threaded plug (3/4" - 14 NPT) on each side, accepts 3/4" and 1/2" conduit.
- Vibe rating for surface mount: 3G
- Vibe rating for pendant mount: 3G at 1.5 feet, excludes swivel kit
- Pendant mount: 3/4" - 14 NPT in center of housing
- Bird Shroud (Accessory)

Electrical

- Electrical harness for quick and safe disconnect / connect of power and options
- Rated for -40°C / -40°F minimum ambient
- Programmable electronic driver with 0-10V control leads
- Available in: 120-277V 50/60 Hz and 347-480V 50/60 Hz
- Standard: 3000K, 4000K and 5000K CCT (>70 CRI)
- Optional >80 CRI, 8 week lead-time
- Internal mounted emergency battery backup for operation in an ambient temperature ranging from -20°C / -4°F to 30°C / 86°F for P10 thru P40 performance packages, non CEC compliant
- All surge protection meets ANSI/IEEE C62.41.2 10kV/10kA
- Standard surge protection is 20kV/10kA with indicator light per ANSI C136.2
- Optional surge protection is 10kV/5kA per ANSI C136.2
- The emergency battery option surge protection is 10kV/5kA per ANSI C136.2

Optical

- The light engine shall be IP66
- Type V: E (entry), M (medium), R (rectangle) & W(wide)
- Asymmetric

Optical Material Options

- Borosilicate glass lens (GL)
- Polycarbonate lens (PY)
- Zero uplight option (FC)

Controls

- Field adjustable output
- Button style photocontrol
- Motion Sensor / Ambient Photocontrol with mounting options ranging from (8-15') and (15-30')
- Title 24 compliance options available

Certification and Standards

- Luminaire is CSA listed, US and Canada
- Suitable for operation in an ambient temperature up to 40°C / 104°F for standard product
- Designlights Consortium® (DLC) qualified product. Not all versions of this product may be DLC qualified. Please check the DLC Qualified Products List at www.designlights.org/QPL to confirm which versions are qualified.
- LM-79 compliant
- The projected LED Lumen Maintenance shall be based only on IES LM-80-08 and TM-21

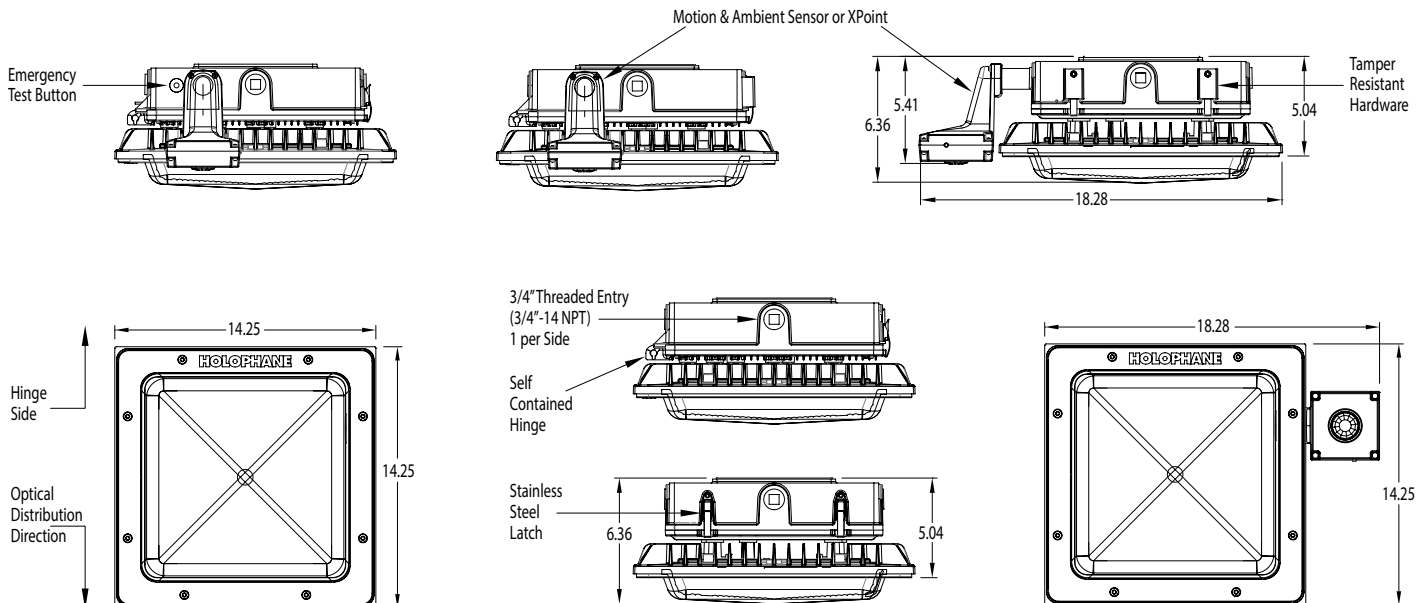
Warranty

5-year limited warranty. This is the only warranty provided and no other statements in this specification sheet create any warranty of any kind. All other express and implied warranties are disclaimed. Complete warranty terms located at: www.acuitybrands.com/support/warranty/terms-and-conditions

Note: Actual performance may differ as a result of end-user environment and application. All values are design or typical values, measured under laboratory conditions at 25 °C. Specifications subject to change without notice.

DIMENSIONAL DATA

Maximum weight: 24 lbs.



ORDERING INFORMATION

Example: PPSQL2 P40 40K MVOLT GL T5M STM WHSDP 10KV

Series	LED Performance Package	Color Temperature	CRI	Voltage	Optics Material
PPSQL2 Parkpak LED	1 LEM Package	30K 3,000 K CCT	(Blank) 70 CRI (STD) 80CRI 80 CRI	MVOLT Auto-Sensing Voltage (120V-277V) 50/60HZ	GL Borosilicate Glass Lens (Standard)
	P10 25W LED Package	40K 4,000 K CCT		HVOLT Auto-Sensing Voltage (347V-480V) 50/60HZ	PY Polycarbonate Lens
	P20 33W LED Package	50K 5,000 K CCT	120 120V	FC No uplight	
	P30 42W LED Package		240 208V		
	P40 51W LED Package		277 277V		
	2 LEM Package		347 347V		
	P50 55W LED Package		480 480V		
	P60 66W LED Package				
	P70 80W LED Package				
	P80 96W LED Package				
(Refer to page 3 for performance details)					

Optics	Mounting	SPD	Super Durable Paint
T5E Type 5 Entry	STM Surface Mount, Top Feed, 12" Leads	(Blank) 20kV/10kA	BKSDP Black
T5M Type 5 Medium	SSM Surface Mount, Side Feed, 12" Leads	10KV 10kV/5kA	BZSDP Bronze
T5R Type 5 Rectangular	PSM Pendant Swivel Mount, 36" Leads		GHS DP Graphite
T5W Type 5 Wide	(See page 8 for details)		GYSDP Grey
ASY Asymmetric			WHSDP White

Options:		
Adjustable/Programmable Options AO Field Adjustable Output (for lumen/wattage outputs, refer to page 3 for details)	Control Options for 8-15' Mounting Height (refer to page 7 for default settings) MASL Motion / Ambient Sensor MASL3FC3V924 Motion I Ambient Sensor, Title 24 Compliance, for use on Emergency Lighting Circuit MASL3FC3V Motion I Ambient Sensor, Title 24 Compliance - Contact Holophane TSG for this option	Control Options for 15-30' Mounting Height (refer to page 7 for default settings) MASH Motion / Ambient Sensor MASH3FC3V924 Motion I Ambient Sensor, Title 24 Compliance, for use on Emergency Lighting Circuit MASH3FC3V Motion I Ambient Sensor, Title 24 Compliance - Contact Holophane TSG for this option
		Button Style Photocontrol Option PE Button Style Photocontrol Fuse Option SF Single Fuse DF Dual Fuse Safety Option EM Integral Emergency Battery Backup, non CEC compliant TP Tamper Resistant Hardware

Accessories (Ordered & Shipped Separately)	
Bird Shroud	
BSPPSQL2	Field Installed, (Specify Paint Color) Ex. BSPPSQL2 WHSDP

Note:
Designlights Consortium® (DLC) qualified product. Not all versions of this product may be DLC qualified. Please check the DLC Qualified Products List at www.designlights.org/QPL to confirm which versions are qualified.

Field Adjustable Output Module

The Field Adjustable Output (AO) module is an onboard device that adjusts the light output and input wattage to meet site specific requirements, allowing a single fixture configuration to be flexibly applied in many different applications.



P10 - MVOLT and HVOLT		
AO Position	% Lumens	% Wattage
8	100%	100%
7	93%	94%
6	81%	83%
5	68%	71%
4	57%	59%
3	45%	47%
2	33%	34%
1	21%	21%

P20 - MVOLT and HVOLT		
AO Position	% Lumens	% Wattage
8	100%	100%
7	93%	94%
6	81%	83%
5	68%	71%
4	56%	59%
3	44%	47%
2	32%	34%
1	20%	21%

P30 - MVOLT and HVOLT		
AO Position	% Lumens	% Wattage
8	100%	100%
7	93%	95%
6	80%	84%
5	67%	72%
4	55%	60%
3	43%	48%
2	31%	34%
1	19%	21%

P40 - MVOLT and HVOLT		
AO Position	% Lumens	% Wattage
8	100%	100%
7	92%	95%
6	79%	84%
5	66%	73%
4	53%	61%
3	41%	49%
2	29%	35%
1	18%	21%

P50 - MVOLT and HVOLT		
AO Position	% Lumens	% Wattage
8	100%	100%
7	93%	95%
6	81%	84%
5	62%	66%
4	44%	47%
3	32%	34%
2	20%	21%
1	14%	14%

P60 - MVOLT and HVOLT		
AO Position	% Lumens	% Wattage
8	100%	100%
7	93%	95%
6	81%	83%
5	68%	72%
4	55%	59%
3	43%	46%
2	31%	33%
1	20%	21%

P70 - MVOLT and HVOLT		
AO Position	% Lumens	% Wattage
8	100%	100%
7	93%	95%
6	80%	84%
5	67%	73%
4	54%	60%
3	42%	47%
2	30%	34%
1	19%	21%

P80 - MVOLT and HVOLT		
AO Position	% Lumens	% Wattage
8	100%	100%
7	93%	95%
6	80%	85%
5	67%	74%
4	55%	63%
3	42%	50%
2	29%	35%
1	17%	21%

OPERATIONAL DATA

Options Matrix

Parameters		SELECTED OPTION (start here with fusing first since there are voltage limitation)												
		AO	SF	DF	EM	PE	MASH	MASL	MASL3FC3V	MASH3FC3V	MASL3FC3V924	MASH3FC3V924	10KV	
LED Performance Package	P10	Y	Y	Y	Y	Y	Y	Y	Y	Y	Y	Y	Y	Y
	P20	Y	Y	Y	Y	Y	Y	Y	Y	Y	Y	Y	Y	Y
	P30	Y	Y	Y	Y	Y	Y	Y	Y	Y	Y	Y	Y	Y
	P40	Y	Y	Y	Y	Y	Y	Y	Y	Y	Y	Y	Y	Y
	P50	Y	Y	Y	N	Y	Y	Y	Y	Y	Y	Y	Y	Y
	P60	Y	Y	Y	N	Y	Y	Y	Y	Y	Y	Y	Y	Y
	P70	Y	Y	Y	N	Y	Y	Y	Y	Y	Y	Y	Y	Y
	P80	Y	Y	Y	N	Y	Y	Y	Y	Y	Y	Y	Y	Y
Voltage	MVOLT	Y	Y	Y	Y	N	Y	Y	Y	Y	Y	Y	Y	Y
	HVOLT	Y	Y	Y	N	N	Y	Y	Y	N	N	Y	Y	
	120	Y	N	N	Y	Y	Y	Y	Y	Y	Y	Y	Y	Y
	240	Y	N	N	Y	Y	Y	Y	Y	Y	Y	Y	Y	Y
	277	Y	N	N	Y	Y	Y	Y	Y	Y	Y	Y	Y	Y
	347	Y	N	N	N	Y	Y	Y	Y	Y	N	N	Y	Y
	480	Y	N	N	N	N	Y	Y	Y	Y	N	N	Y	Y
Compatible Options	AO	Y	Y	Y	Y	Y	N	N	N	N	N	N	Y	Y
	SF	Y	Y	Y	Y	Y	Y	Y	Y	Y	Y	Y	Y	Y
	DF	Y	Y	Y	Y	Y	Y	Y	Y	Y	Y	Y	Y	Y
	EM	Y	Y	Y	N	Y	Y	Y	Y	Y	N	N	Y	Y
	PE	Y	Y	Y	N	N	N	N	N	N	N	N	Y	Y
	MASH	N	Y	Y	Y	N	N	N	N	N	N	N	Y	Y
	MASL	N	Y	Y	Y	N	N	N	N	N	N	N	Y	Y
	MASL3FC3V	N	Y	Y	Y	N	N	N	N	N	N	N	Y	Y
	MASH3FC3V	N	Y	Y	Y	N	N	N	N	N	N	N	Y	Y
	MASL3FC3V924	N	Y	Y	N	N	N	N	N	N	N	N	Y	Y
	MASH3FC3V924	N	Y	Y	N	N	N	N	N	N	N	N	Y	Y
10kV	Y	Y	Y	Y	Y	Y	Y	Y	Y	Y	Y	Y	Y	

Notes

N = Combination Not available

Y = Valid Option Combination

Projected LED Lumen Maintenance

Data references the extrapolated performance projections for the platform noted in a 25°C ambient, based on 10,000 hours of LED testing (tested per IESNA LM-80-08 and projected per IESNA TM-21-11).

To calculate LLF, use the lumen maintenance factor that corresponds to the desired number of operating hours below. For other lumen maintenance values, contact factory.

Operating Hours	0	25,000	36,000	50,000	60,000	75,000	100,000
Lumen Maintenance Factor	1	0.959	0.945	0.926	0.914	0.895	0.864

The italicized data is extrapolated beyond the TM-21 standard.

$$E = (LM) \times (CU) \times (LAT) \times (LLD)$$

Lumen Ambient Temperature (LAT) Multipliers

Use these factors to determine relative lumen output for average ambient temperatures from 0-40°C (32-104°F).

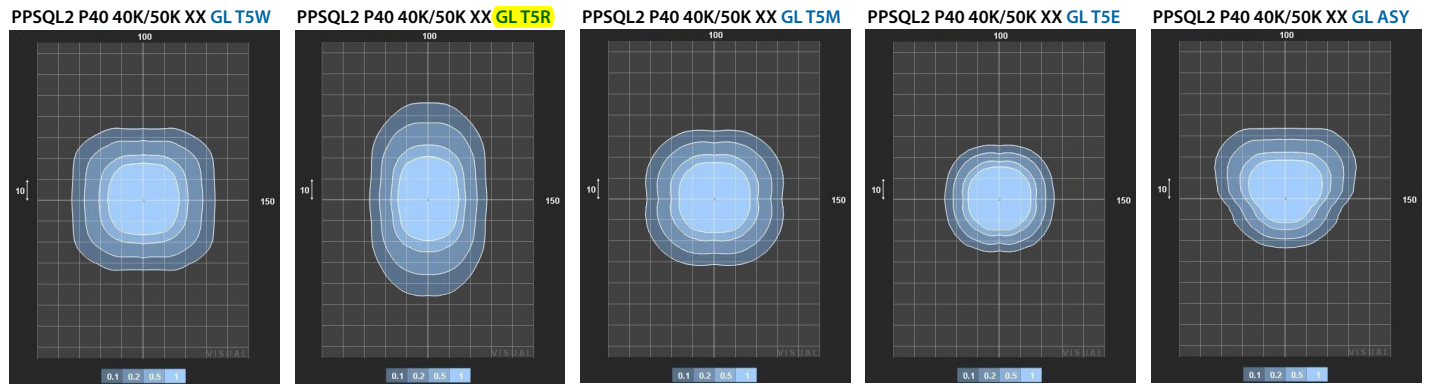
Ambient	Lumen Temperature	
0° C	32° F	1.04
10° C	50° F	1.03
20° C	68° F	1.01
25° C	77° F	1.00
30° C	86° F	0.99
40° C	104° F	0.97

OPERATIONAL DATA

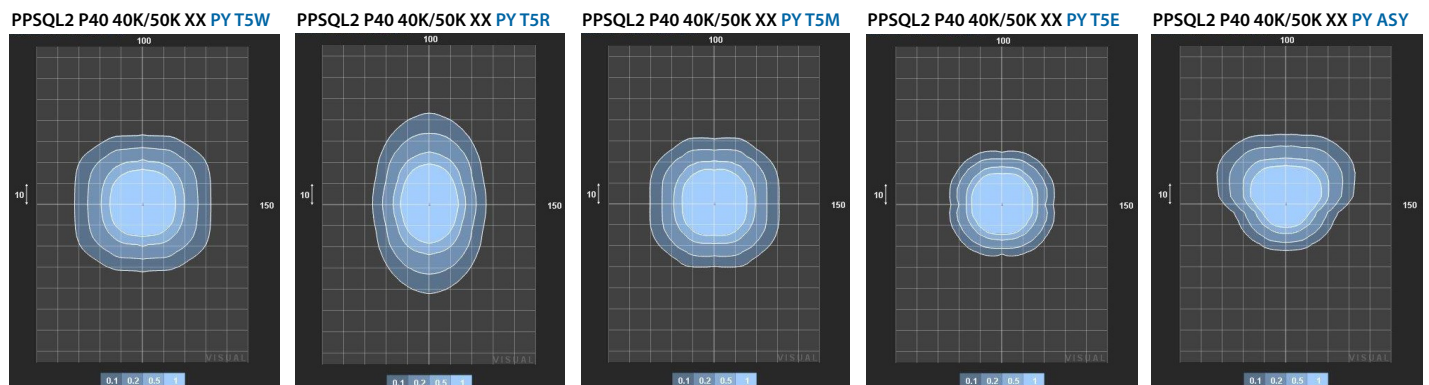
Photometric Diagrams

To see complete photometric reports or download .ies files for this product, visit the [Holophane's Wallpack FCO LED homepage](#). Isofootcandle plots for the PPSQL2 P40 40K/50K. Distance are in units of mounting height (8').

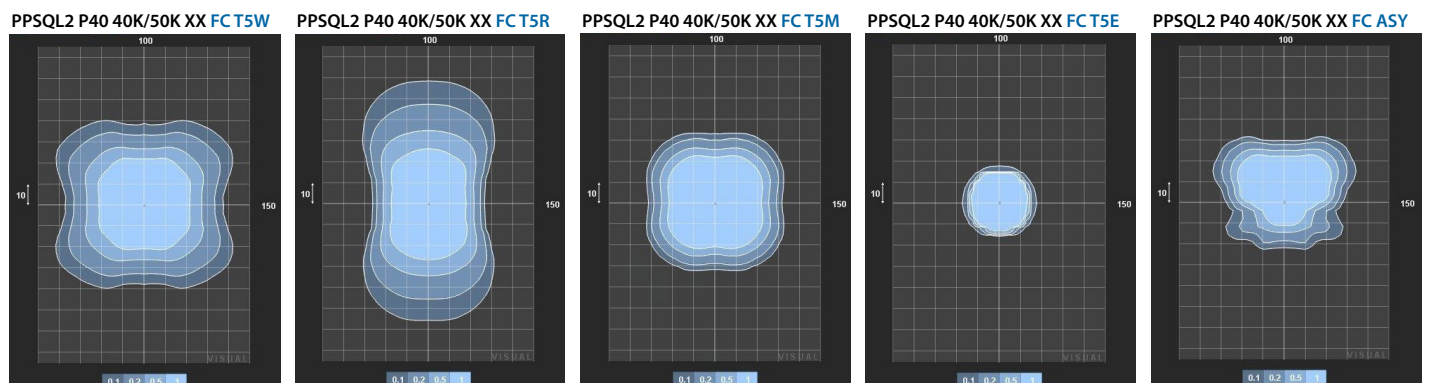
Borosilicate Prismatic Glass Option Distribution



Polycarbonate Refractor Option Distribution



Zero Uplight Option Distribution



OPERATIONAL DATA

Motion & Ambient Control Default Settings

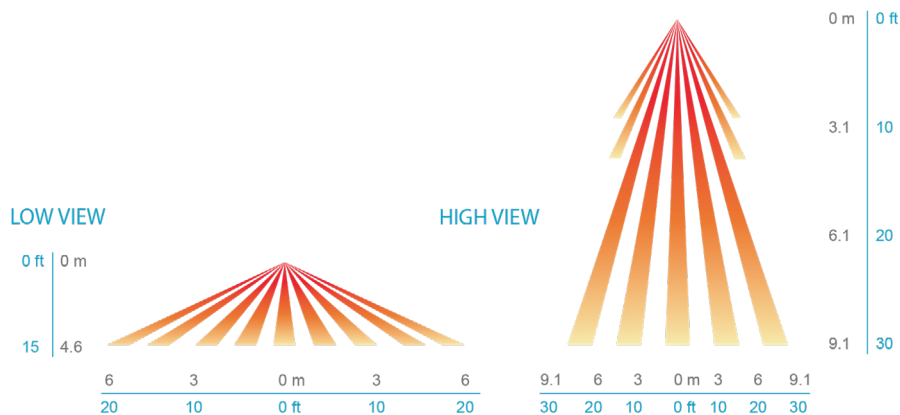
Motion Sensor & Photocontrol Default Settings (any other presets require an RFD)						
Option	Dimmed State	High Level (when triggered)	Photocell Operation	Ramp-up Time	Dwell Time	Ramp-down Time
MASL or MASH	3V (37%) Output	10V (100%) Output	Enabled @ 5FC	3 sec	5 min	5 min
MASL3FC3V or MASH3FC3V	3V (37%) Output	10V (100%) Output	Enabled @ 3FC	3 sec	5 min	5 min
MASL3FC3V924 or MASH3FC3V924	3V (37%) Output	10V (100%) Output	Enabled @ 3FC	3 sec	5 min	5 min

Motion Sensor & XPoint Finish Based on Paint Selection

Super Durable Paint	Sensor Color
BKSDP Black	Black Finish
BZSDP Bronze	Black Finish
GHSDP Graphite	White Finish
GYSDP Grey	White Finish
WHSDP White	White Finish

COVERAGE PATTERN

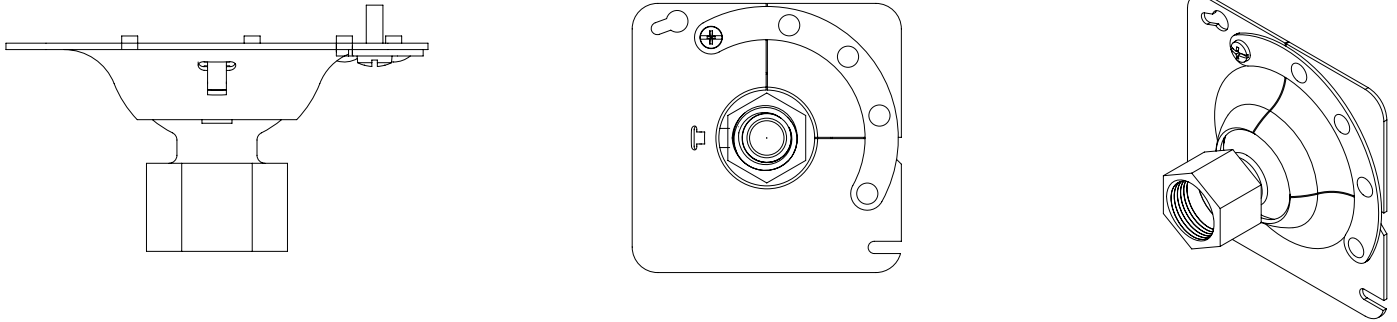
8-15 ft. mounting: MASL, MASL3FCV924, MASL3FC3V
 15-30 ft. mounting: MASH, MASH3FCV924, MASH3FC3V



Parkpak LED

PENDANT MOUNT OPTION WITH SWIVEL KIT

Included with mounting option PSM and mounts to 4" square electrical box.



BIRD SHROUD ACCESSORY

