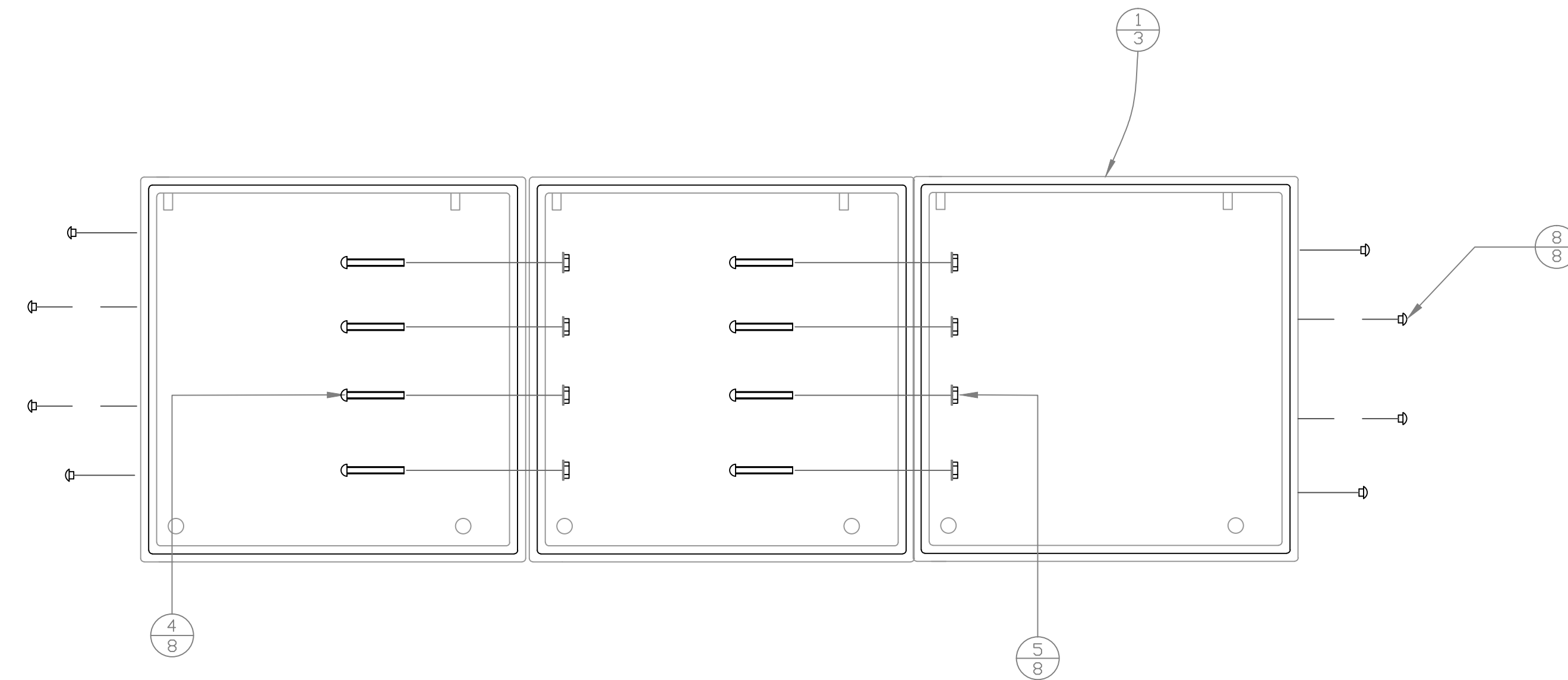
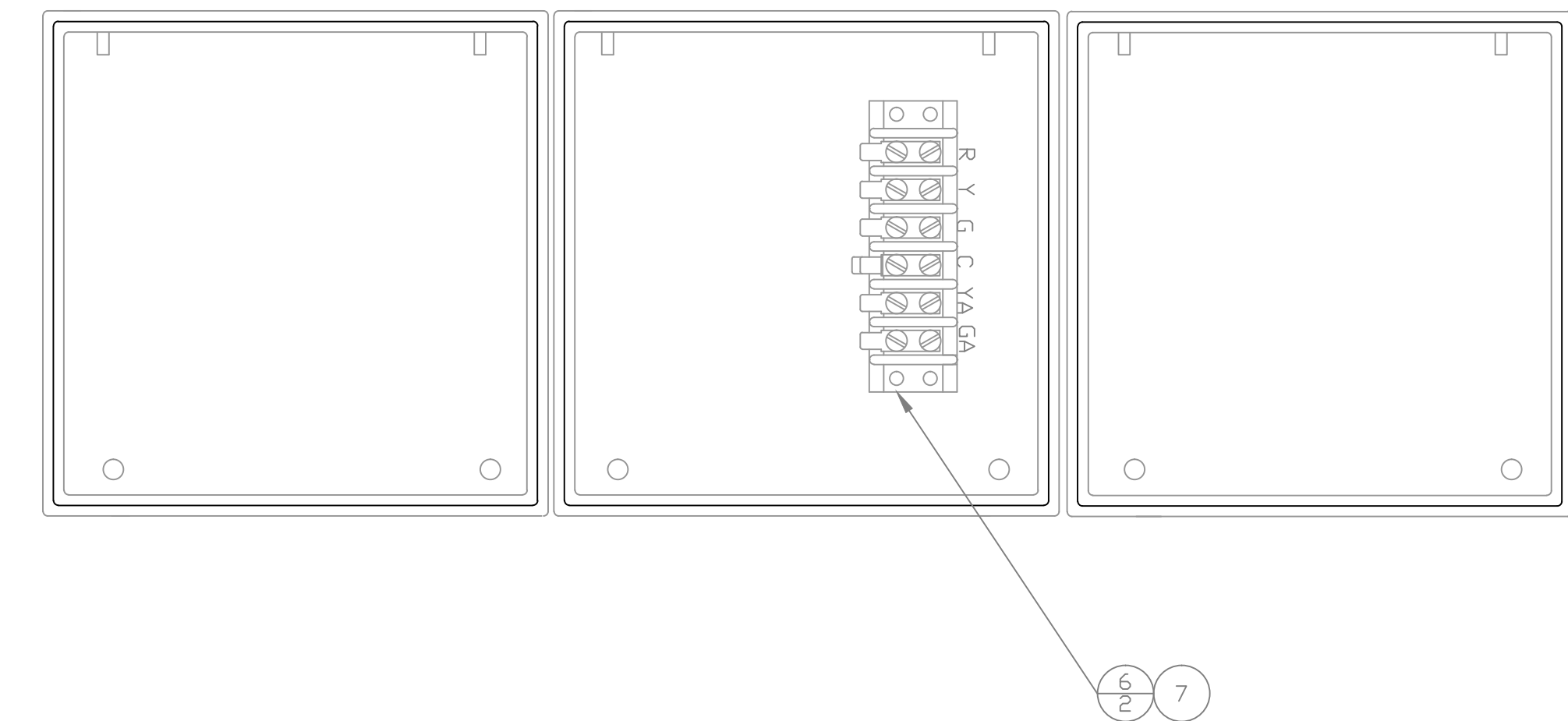


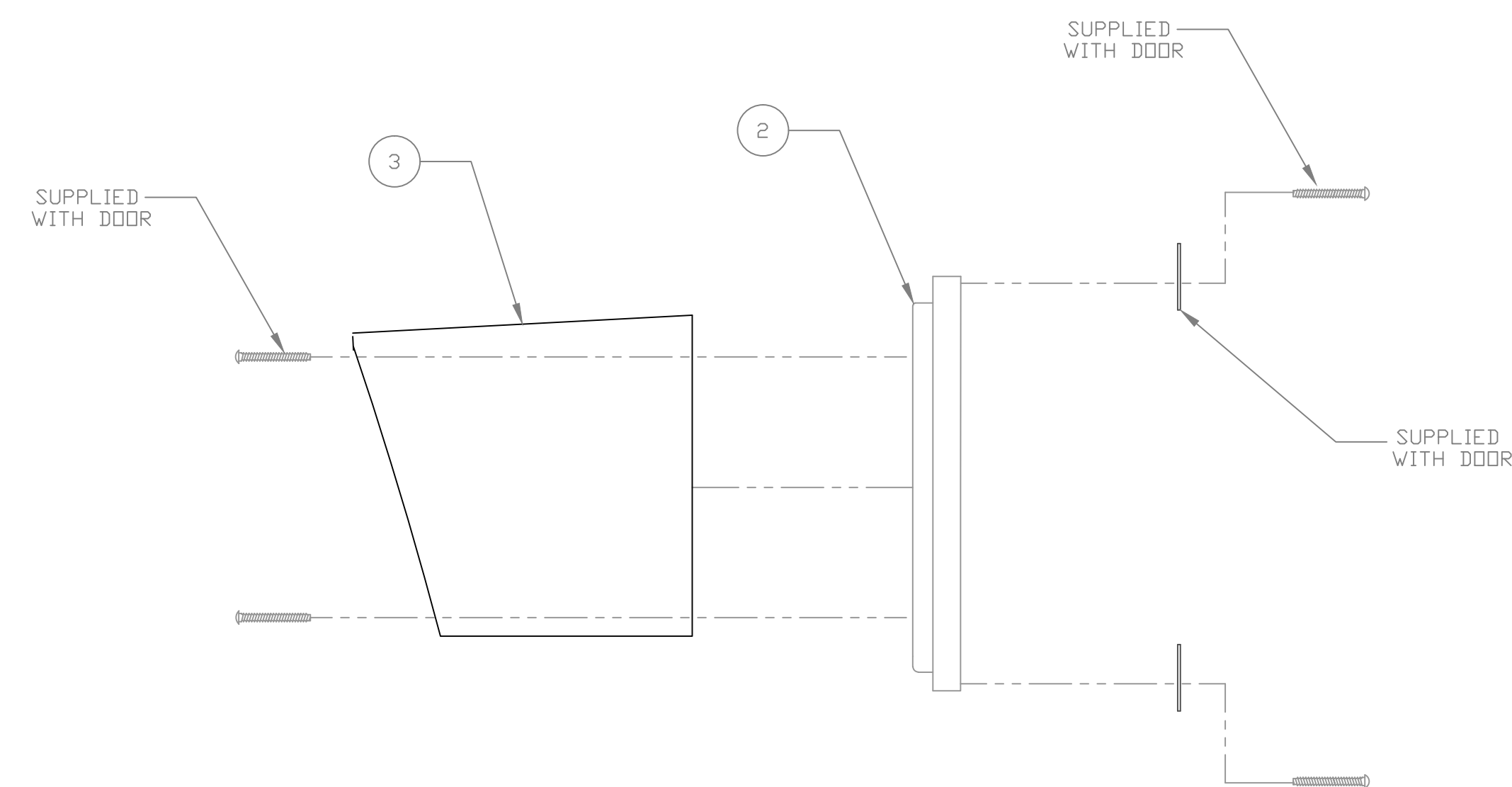
REV / ECN		REVISIONS		DRAFT	DATE	CHKD
DESCRIPTION				RW	5/16	AZ
1	21167	RELEASED				



MECHANICAL ASSEMBLY



NOTE: TAPE ONE WASHER (E12215) TO INSIDE OF HOUSING



DOOR ASSEMBLY (TYP)

Yellow Body: SA103A1C11BYB30-37  
Black Body: SA103A1C11BBB30-37

The information contained herein is the proprietary property of MoboTrex, and is disclosed with the understanding it will be retained in confidence and will neither be duplicated nor copied in whole or part nor be used for any purpose other than that for which disclosed.

<b>mobotrex</b> <sup>TM</sup> MOBILITY & TRAFFIC EXPERTS		109 WEST 55TH STREET DAVENPORT, IA 52806 PHONE: (563) 323-0009	301 W. HOWARD LN., STE. 200 AUSTIN, TX 78753 PHONE: (512) 521-3060	WWW.MOBOTREX.COM
MATERIAL & FINISH	DES ENGR CHECKED BY DRAWN	RW 5/16 AZ 5/16 RW 5/16	DWG TITLE	
SEE BOM	TOLERANCES UNLESS OTHERWISE SPECIFIED X.XXX = ±0.020 X.XXXX = ±0.010 ANGLES = ±1° HOLE Ø = ±0.005 UNITS = INCHES		VEH, 3-SECT, 12" POLY, CAP WITH KLIP TITE TERMINAL BLOCK	
	SIZE	DWG No	SA103A1C11BBB30-37	REV
	D			1
		SHEET	1 OF 1	