



PH: 405-340-3434
 FAX: 405-340-3435
 Edmond, OK 73013
 www.pelcoinc.com

This drawing is the property of Pelco and is not to be used in whole or in part without Pelco's written permission.

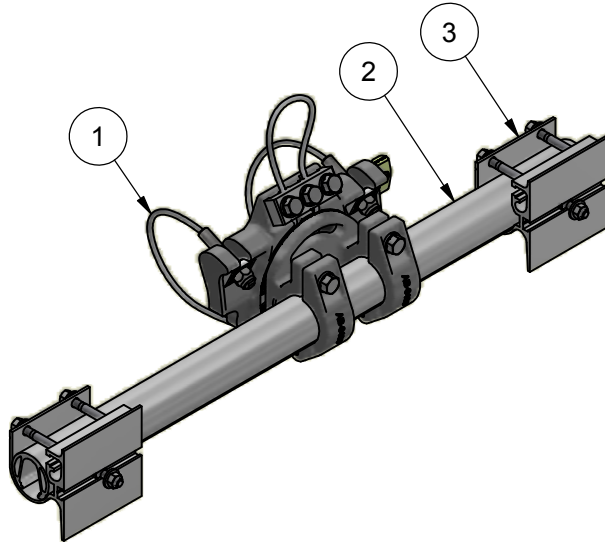
ASSEMBLY CUT SHEET

REF:

TITLE:
Astro Sign-Brac, Galaxy, Overhead Street Name Signs, Cable Mount, Alum

PART NO.:
AG-0144

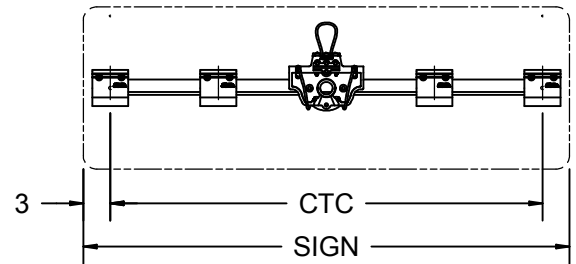
Example Part No.
 AG-0144-48-84-PXX
 AG-0144-48-84-SS-PXX
 CTC
 Cable Length
 Stainless Upgrade
 Process No Color=PNC
 Paint=PXX



2 Sign Clamps				
Sign	18"	24"	30"	36"
Max CTC	12"	18"	24"	30"

4 Sign Clamps										
Sign	42"	48"	54"	60"	66"	72"	78"	84"	90"	96"
Max CTC	36"	42"	48"	54"	60"	66"	72"	78"	84"	90"

6 Sign Clamps			
Sign	102"	108"	114"
Max CTC	96"	102"	108"



Cable Length	Max Pole Dia	Max Pole Dia w/ Ty-Back
62"	7.0"	4.5"
84"	10.5"	7.6"
96"	12.4"	9.6"
110"	14.6"	11.8"
120"	16.2"	13.4"
132"	18.2"	15.3"
144"	20.1"	17.2"
220"	32.2"	29.3"
280"	35.0"	35.0"

Paint Color (PXX)
 P33 - Gloss Black
 P71 - RAL 6012 Green
 P39 - RAL 8019 Dark Bronze

Notes:

- 130 mph wind zone maximum: 16 sq-ft
- 150 mph wind zone maximum: 12 sq-ft
- 1. The above capacities are only for applications with the clamp mounting in the center of the sign.
- 2. Signs must be properly engineered for application.
- 3. 5/16" sign mounting bolts to be torqued to 12 ft-lb
- 4. Parts list reflects 2 sign clamp configuration.
- 5. Tube is 4" longer than max CTC.
- 6. Stainless Upgrade=Stainless cable on clamp kit.

Options
CTC=Center to Center, Max See Chart
Cable Length: Min 4.5" Pole Dia, See Chart for Max
SS=Stainless Upgrade
Paint

ITEM	PART NUMBER	DESCRIPTION	QTY
1	AG-3055-L-GLV-PXX	Astro-Brac Clamp Kit, Galaxy Hinged, Galv Cable, Alum	1
2	AB-0390-L-PXX	Gusseted Tube w/ 3/4" Opening, 1-1/2" x Length, 6063-T6 Alum	1
3	AB-0502-04-PXX	Sign Clamp w/ Hardware, Astro-Brac, 4", Alum	2

Pelco Assy.dwg 8/20/18