



PH: 405-340-3434
 FAX: 405-340-3435
 Edmond, OK 73013
 www.pelcoinc.com

This drawing is the property of Pelco and is not to be used in whole or in part without Pelco's written permission.

ASSEMBLY SHEET

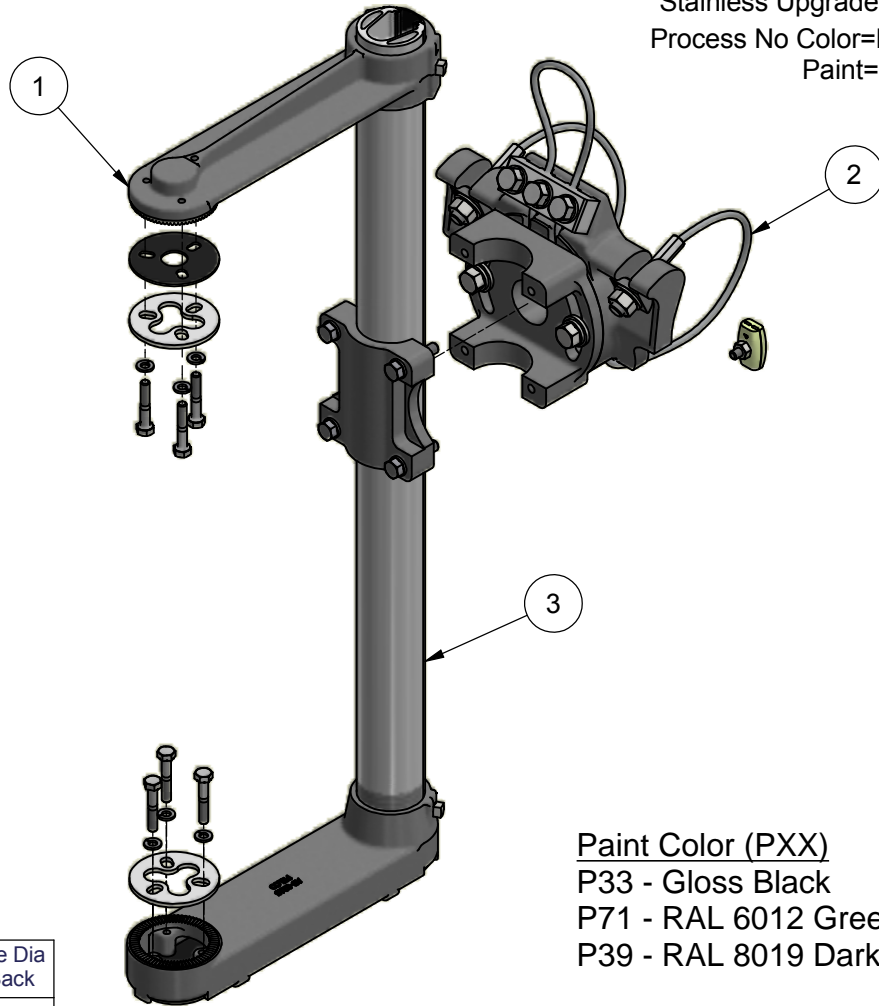
REF:

TITLE:
Astro-Brac Assy, 1-Way Galaxy, Galv Cable, Alum

PART NO.:
AG-0125

PART NO
AG-0125-1-LL-SS-PXX
AG-0125-1-62-SS-PXX

Signal Section
 Cable Length
 Stainless Upgrade
 Process No Color=PNC
 Paint=PXX



Paint Color (PXX)
 P33 - Gloss Black
 P71 - RAL 6012 Green
 P39 - RAL 8019 Dark Bronze

Cable Length	Max Pole Dia	Max Pole Dia w/ Ty-Back
62"	7.0"	4.5"
84"	10.5"	7.6"
96"	12.4"	9.6"
110"	14.6"	11.8"
120"	16.2"	13.4"
132"	18.2"	15.3"
144"	20.1"	17.2"
220"	32.2"	29.3"
280"	35.0"	35.0"

OPTIONS
Signal Section: 3 =46" Tube 4 =58" Tube 5 =74" Tube
Cable Length: Min 4.5" Pole Dia, See Chart for Max
SS=Stainless Upgrade
Paint

Note:
 1. Stainless Upgrade=Stainless cable on clamp kit.

ITEM	PART NUMBER	DESCRIPTION	QTY
1	AB-4005-PXX	Astro-Brac Arm Kit, 1-Way, 8-1/2" CTC, Stainless Slotted Washer, Alum	1
2	AB-3055-L-PXX	Astro-Brac Clamp Kit, Galaxy, Galv Cable, Alum	1
3	AB-2003-L-PXX	Gusseted Tube w/ PVC Insert, 1-1/2" TOE x Length, Alum	1

Pelco Assy.idw 1/25/17