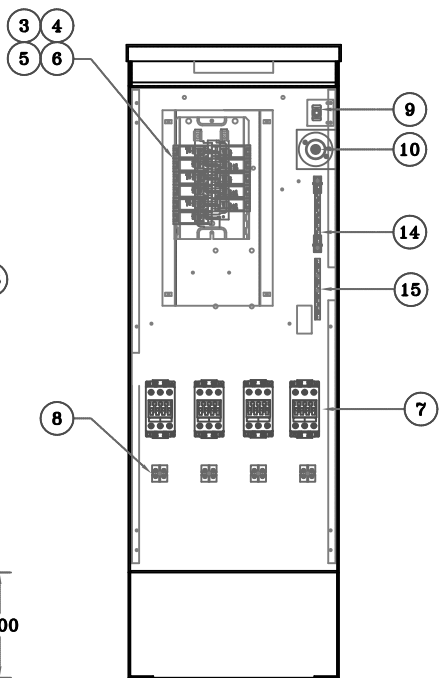
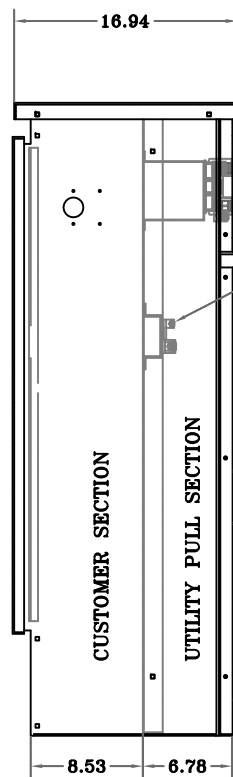


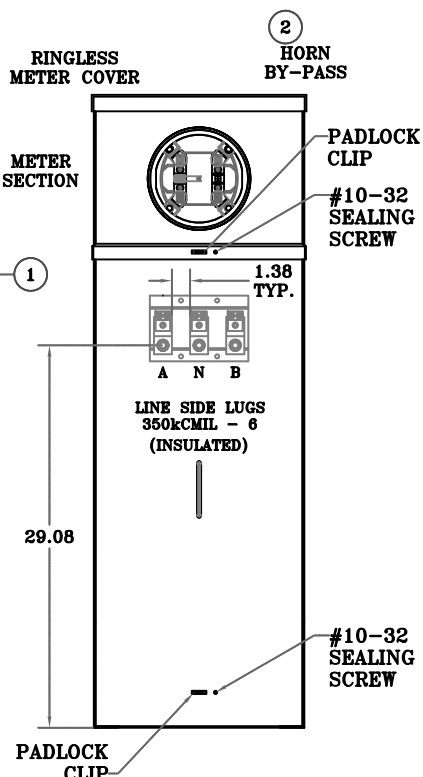
FRONT VIEW



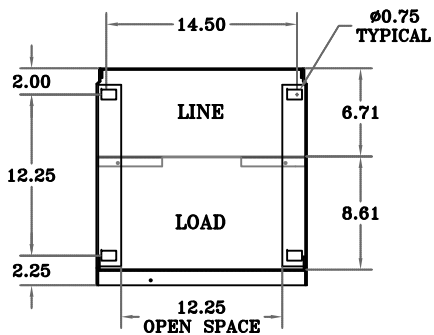
**FRONT VIEW
SHOWN LESS DOOR & COVERS**



SIDE VIEW



REAR VIEW



PLAN VIEW

USP16R-M2100-112C-OPK-AL

FAL147068

SPECIFICATIONS

- * NEMA 3R CONSTRUCTION
- * FABRICATED FROM .125 THK NATURAL ALUMINUM
- * FACTORY WIRING 600 VOLT RATED COPPER
- * ALL EXTERIOR HINGES CONTINUOUS PIANO TYPE
- * ALL COMPONENTS ARE U.L. LISTED.

PAGE 1 OF 2

COMPONENT DIRECTORY

CAT. NO. USP16R-M2100-112C-OPK-AL	
No.	Description
	120/240 VAC 1-PHASE 3-WIRE
1	LANDING LUGS 350kCMIL-6 PER PH
2	MTR SOCKET 200A 5J HORN BYPASS
3	MAIN CB 100A 2P 120/240VAC 10kAIC
4	LOAD CENTER 125A 12CKT 1-PHASE
5	(4) CB 30A 2P 120/240VAC 10kAIC
6	(1) CB 15A 1P 120/240VAC 10kAIC
7	(4) CONTACTOR 65A 3P EH LTG GE EFFICOR
8	(4) TERM BLK 2P 85A MARATHON or EQUAL
9	SWITCH TOGGLE SPST 20A
10	PE RECEPTACLE
11	
12	
13	
14	INSULATED NEUTRAL BUS
15	GROUND BUS
16	#2 CORBIN / PELCO LOCK

SERVICE PEDESTAL

S.O. No.	QTY.
DATE	30 APRIL 2019
JOB NAME	-
DISTRIBUTOR	POWER EQUIPMENT SALES

USP NON-RESIDENTIAL
SERVICE PEDESTAL
0 - 200 AMPERES
0 - 600 VOLTS

PACIFIC
UTILITY
PRODUCTS
2950 E. PHILADELPHIA ST.
ONTARIO CALIFORNIA 91761

PACIFIC UTILITY PRODUCTS
2950 E. PHILADELPHIA ST. ONTARIO CA 91761

FAL147068
S.O. SE - - - - -

INDUSTRIAL CONTROL - RAINPROOF / OUTDOOR TYPE 3R
SUITABLE FOR USE AS SERVICE EQUIPMENT

BONDED NEUTRAL REMOVE BONDING MEANS FOR TEST PURPOSES ONLY

CAT.NO. USP16R-M2100-112C-OPK-AL 120/240VAC 1PH 60HZ 3 WIRE 100 AMPS

SHORT CIRCUIT RATING: 10,000 RMS SYMMETRICAL AMPS @ 240 VAC MAX.
HOWEVER, THIS SHORT CIRCUIT RATING IS LIMITED TO THE LOWEST INTERRUPTING
CAPACITY ON ANY DEVICE INSTALLED.

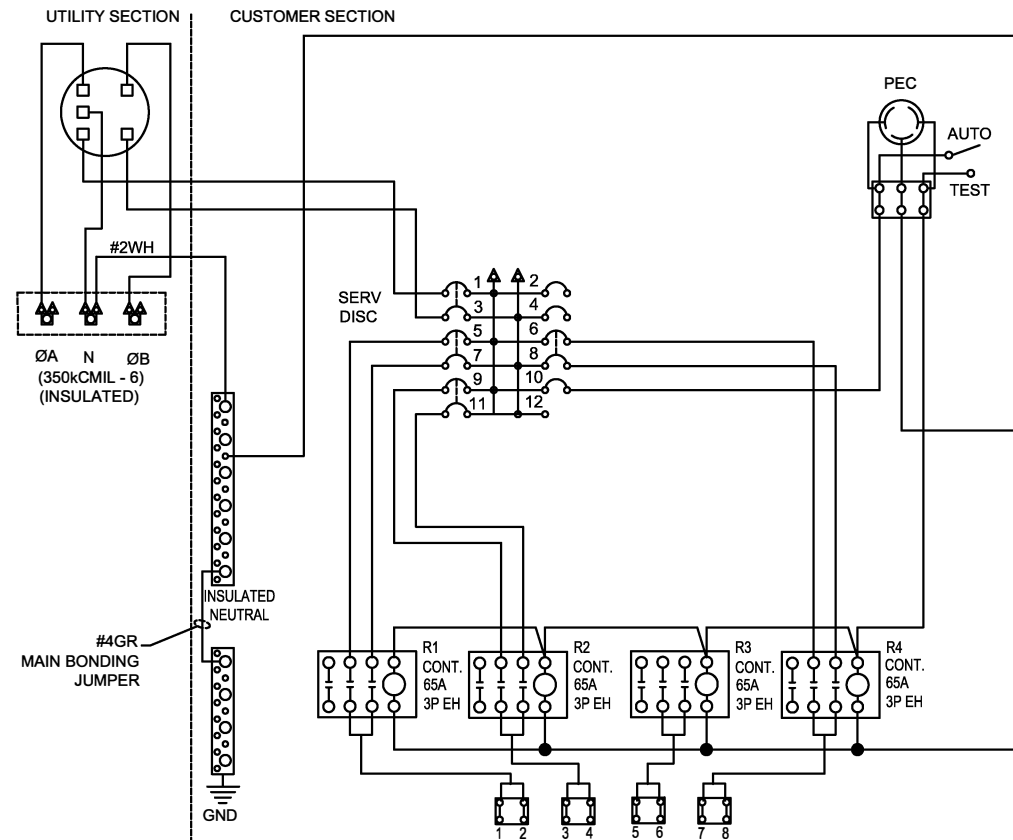
*MAIN SERVICE DISCONNECT: 100 AMPS CUTLER-HAMMER TYPE BR
*CIRCUIT BREAKERS 90 AMPS OR LESS: CUTLER-HAMMER TYPE BR, BD, BQ, GFGB.
REPLACEMENT BREAKER(S) MUST BE SAME TYPE AND RATING.

*AUTOMATIC TRIP IS INDICATED BY HANDLE POSITION MIDWAY BETWEEN
(ON) AND (OFF). TO RESTORE POWER MOVE HANDLE TO (OFF), THEN (ON).

*METER SOCKET: DURHAM, 200 AMPS CONTINUOUS.
CAUTION: WATT-HOUR METER NOT INCLUDED IN SHORT CIRCUIT RATING
*LOAD CENTER IS SUITABLE FOR USE WITH 60/75 DEGREE C COPPER OR
ALUMINUM WIRE.

*LOAD CENTER IS LIMITED TO A MAXIMUM OF 12 INSTALLED CIRCUITS THAT
UTILIZE A NEUTRAL CONNECTION, EITHER SINGLE POLE, MULTI-POLE, OR
A COMBINATION OF EACH.

*SHIPPING TENDS TO LOOSEN ELECTRICAL CONNECTIONS - TIGHTEN ALL
CONNECTIONS BEFORE ENERGIZING UNIT.



NO.	AMP.	POLE	DESCRIPTION
1-3	100	2	SERVICE DISCONNECT
5-7	30	2	LIGHTING 1
9-11	30	2	LIGHTING 2
2-4	30	2	LIGHTING 3
6-8	30	2	LIGHTING 4
10	15	1	PEC

- *** TORQUE INFORMATION
- 350MCM - 6 CU/AL 275 IN.LB.
 - ▲ #14-1/0 CU/AL 50 IN.LB.
- *** NEUTRAL & EQUIPMENT GROUND-SINGLE CONDUCTOR
- #14-1/0 CU/AL #3-1/0 50 IN.LB.
 - #6-4 45 IN.LB.
 - #8 40 IN.LB.
 - #14-10 25 IN.LB.
 - #14-6 CU/AL #6 35 IN.LB.
 - #8 25 IN.LB.
 - #14-10 20 IN.LB.
- *** EQUIPMENT GROUND-MULTIPLE CONDUCTOR
- (2 OR 3) #10,12,14 CU/AL 45 IN.LB.
 - (2) #12,14 CU/AL 20 IN.LB.
- *** FIELD INSTALLED DEVICES-TORQUE TO VALUES INDICATED ON OR WITH DEVICE