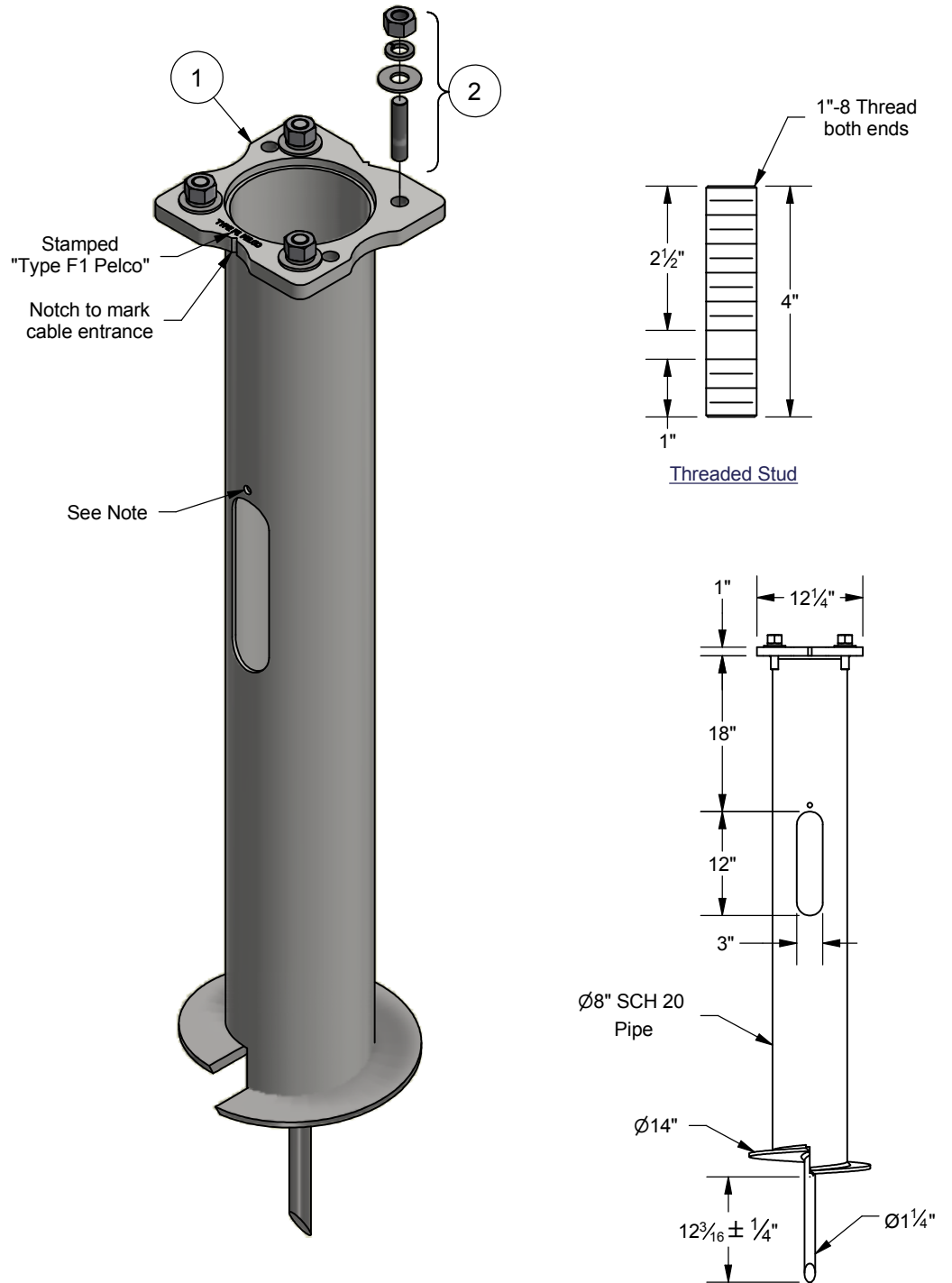


REF:
 Overland Park, KS

TITLE:
Foundation Anchor Assy, 8" x 60", 11-1/2" BC w/ 1"-8 Stud Hardware, Steel, Galv

PART NO.:
 SP-3013-KS-GLV



Note:

1. Place hardware in nylon weatherproof bag and attach to hole with drawstring.
2. Type "F1" Anchor

ITEM	PART NUMBER	DESCRIPTION	QTY
1	SP-3013-KS-1-GLV	Weldment, Foundation Anchor, 8" Sch 20 x 60" Lg x 11-1/2" BC, Steel, Galv	1
2	PB-5427-GLV	Hardware Kit, 1"-8NC x 4" Double End Stud, Grade B7 w/ Washers, Lock Washers & Nuts, Galv	1

Pelco Assy.idw 8/20/18