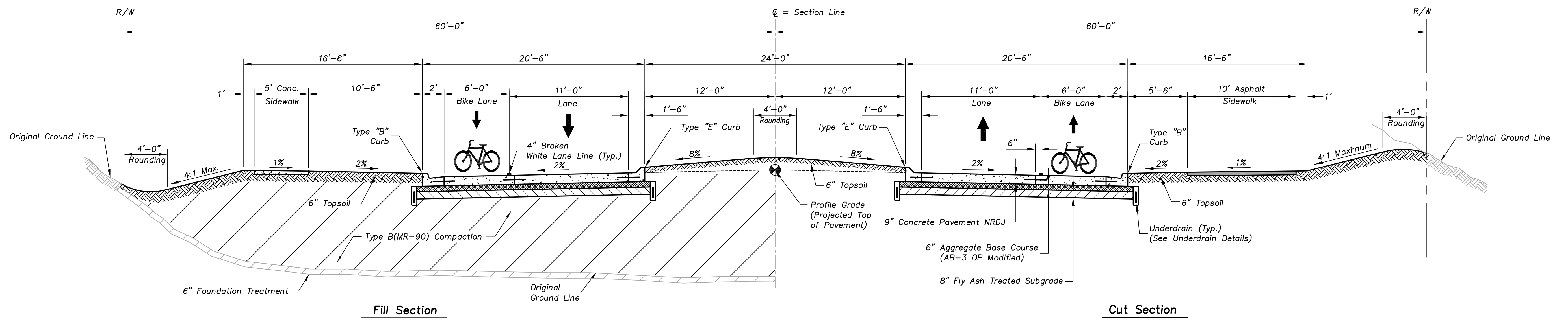
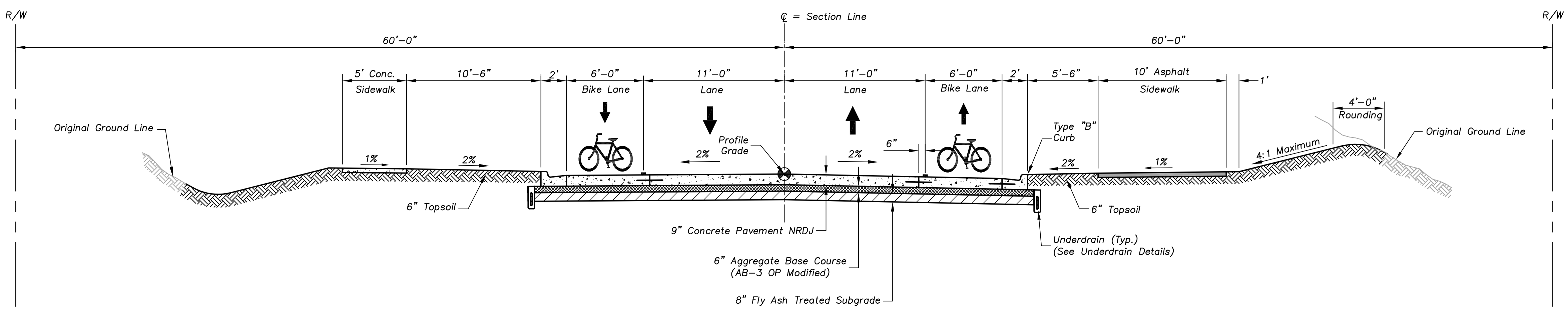


NO.	DATE	REVISIONS	BY
1			
2			
3			

SHEET NO.	TOTAL SHEETS
1	1



Ultimate 2-Lane Divided Section



Ultimate 2-Lane Undivided Section

January 10, 2019 - 10:03 AM rldelson  
K:\Details\_Specs\Drawings\Details\_english\extras\Typical Sections - Thoroughfare Ultimate & Interim-Jan-2019.dwg