



www.pelcoinc.com
 320 W. 18TH ST, EDMOND OK 73013
 PH: 405-340-3434 FAX: 405-340-3435

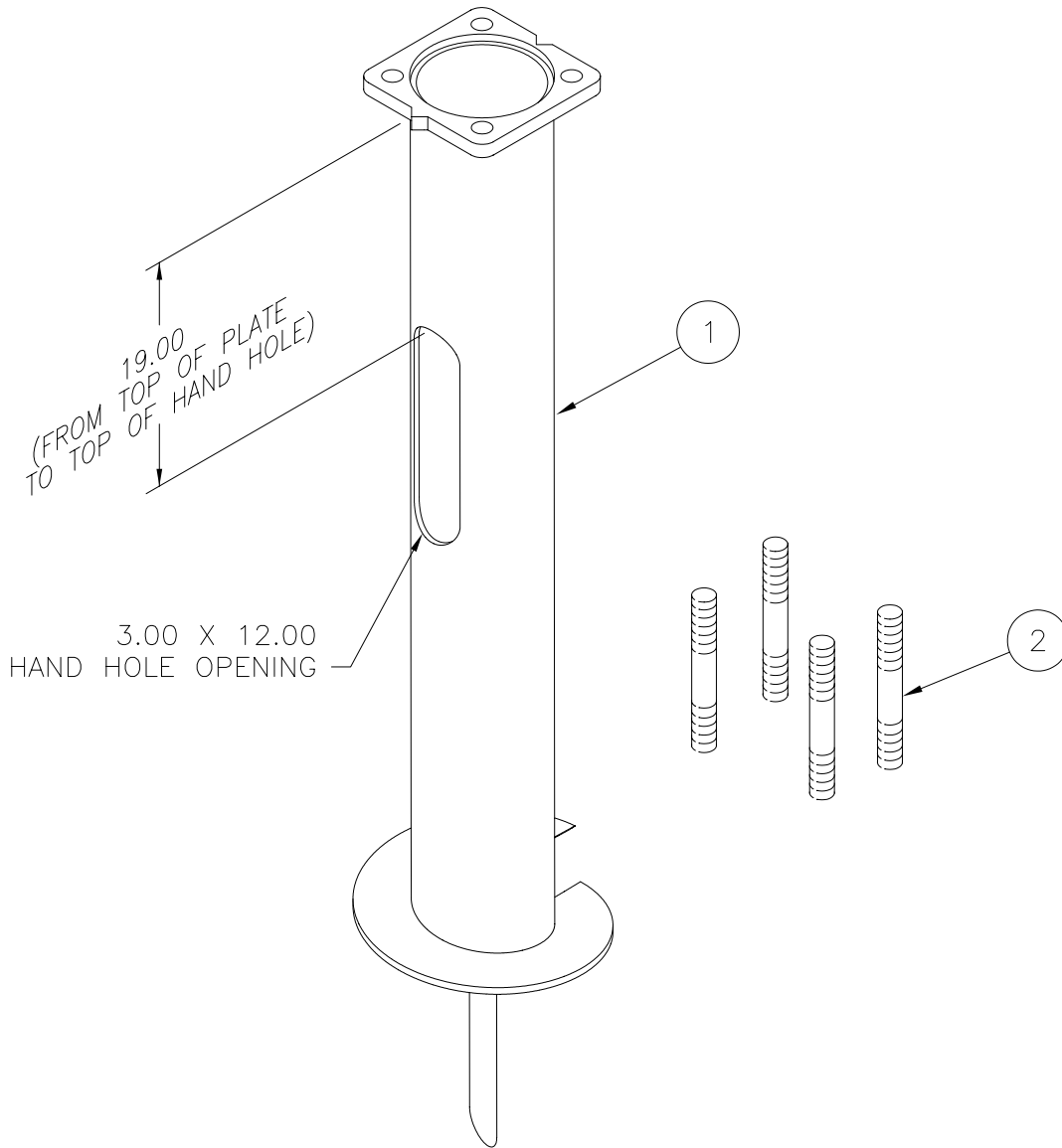
This drawing is for reference only. It is the property of Pelco and is not to be used in whole or in part without Pelco's permission.

ASSEMBLY SHEET

REF: CLEAVES-BESSMER-MARIETTI, INC.

TITLE: FOUNDATION ANCHOR ASSY
 8" X 60" LG. X 11½" B/C, 1"-8NC HARDWARE
 FOR OVERLAND PARK, KS

PELCO NO.: SK-1108



NOTE: TYPE "F1" ANCHOR

ITEM	PART NO.	DESCRIPTION	QTY
1	SK-1108-1	WLDMNT, FOUNDATION ANCHOR, 8" X 60" X 11½" B/C, FOR 1"-8NC HDWR	1
2	FS-XXXX-GLV	STUD, DOUBLE END, 1"-8NC X 5" LG., C-1045, GALVANIZED	4

DRAWN: RLB DATE: 06/15/06 CHK'D: R WOODS DATE: 6/15/06 REV. B-7/21/06 JR REV CHK'D: SHT. 1 OF 1