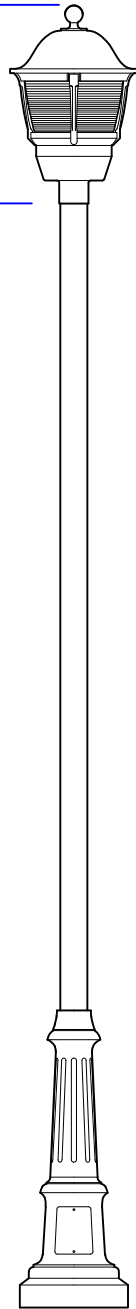


# SLH Hamlet

*Luminaires: Lanterns - Round*

**Luminaire Height: 22"**  
**Diameter: 14"**

The lumen output of these round lantern style luminaires is so high that they can be located as far apart as four times mounting height and still deliver appreciably more light at eye level than many others. This makes SLH Hamlet a very economical choice for the lighting of parks, streets, plazas and esplanades. SLH Hamlet is a delightful variation on the square lantern style and matches gracefully with a variety of posts and architectural environments.



SLH is noted for high resistance to vandalism. Its size and design adapts especially well to clusters of two to as many as five per post. Features a high-strength die cast aluminum structure.



SLH is designed to utilize a wide range of light sources, including High Intensity Discharge (HID), Compact Fluorescent, Induction and others. These light source families provide the highest efficiency in lumen output, service life and energy use.

*For Ordering Information see reverse.*



*Shown with 12 ft. aluminum pole.  
Catalog #: SAL-3H-P-12'*

**Sentry**  
ELECTRIC

## SLH Hamlet

**Sentry Electric LLC**  
185 Buffalo Avenue, Freeport, New York, 11520  
Telephone: 516.379.4660 Fax: 516.378.0624  
[www.sentrylighting.com](http://www.sentrylighting.com) [info@sentrylighting.com](mailto:info@sentrylighting.com)

# SLH Hamlet

## Luminaires: Lanterns - Round

### Product Features

#### Construction

All components, including base and finial, to be of high-strength die cast aluminum. Luminaire shall be fully welded creating one integral housing. Injection-molded acrylic or polycarbonate refractive globe. Die cast aluminum hood shall be hinged to allow for easy relamping.

#### Optical

Injection-molded acrylic or polycarbonate refractive globe. Inside hood painted white. Available in symmetrical and asymmetrical light distribution.

Available in a wide range of lamp choices and wattage ratings including High Intensity Discharge (HID), Incandescent, Induction and Compact Fluorescent.

#### Electrical

Meets UL 1598 for Safety. Luminaire shall have porcelain socket rated for 600V with 4kV pulse and uses a nickel-plated screw shell with spring-loaded center contact and lamp grips. Luminaires shall be prewired and factory tested. The ballast shall be a high power factor, constant wattage autotransformer type. The power factor shall be at least 90%.

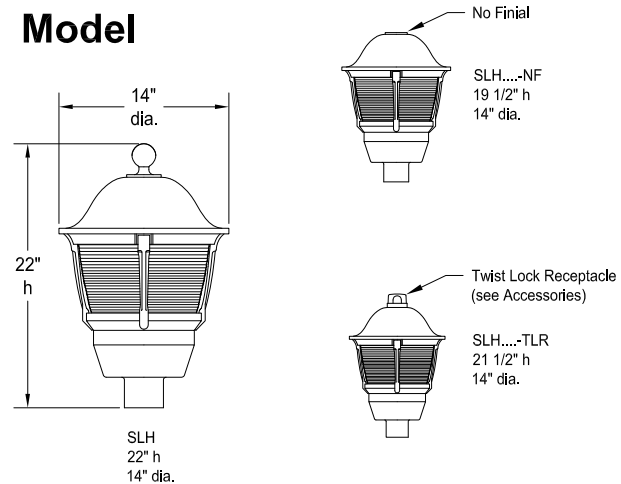
#### Finish

To insure product durability, all exposed metallic surfaces shall be finished with a high performance coating consisting of high gloss Super Durable polyester powder coat paint to be applied utilizing a multi stage process that includes phosphate pretreatment, electrostatic powder application, and convection curing. Paint shall be weather, corrosion, abrasion, and UV resistant in compliance with the American Architectural Manufacturers Association's specification AAMA 2604 05. Color to be specified.

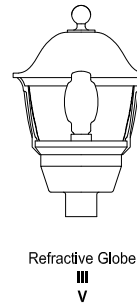
#### Mounting

Mounts to a Ø3" by 2 1/2" tall tenon. (3) 3/8"-16 UNC stainless steel allen head cup point set screws secure luminaire to post top tenon. All mounting hardware shall be stainless steel.

### Model



### Optical Systems



## Ordering Information

Choose the **boldface** catalog references that best suit your needs.

Example: **SLH - 100MH - 120V - MED - V - PC - TLR - BK**

Model	Wattage/ Lamp	Voltage	Lamp Socket	Globe Material	Options	Finish
<b>SLH</b>	<b>INC</b> Incandescent	Single Line	<b>(blank)</b> Mogul Socket	<b>(blank)</b> Acrylic	<b>NF</b> No Finial	<b>BK</b> Black (Standard)
	<b>100MV</b> 100 watt Mercury Vapor	<b>120V</b>	<b>MED</b> Medium Socket	<b>PC</b> Polycarbonate	<b>TLR</b> Twist Lock Receptacle	<b>BZ</b> Bronze
	<b>175MV</b> 175 watt Mercury Vapor	<b>480V</b>			<b>BPC</b> Button Photo Cell (Not available in 480V)	<b>FG</b> Federal Green
	<b>100HPS</b> 100 watt High Pressure Sodium	Multi-Tap	Mogul socket unless specified otherwise.		<b>HSS</b> House Side Shield	<b>GR</b> Gray
	<b>150HPS</b> 150 watt High Pressure Sodium	<b>120V-MT</b>				Custom finish consult factory.
	<b>100MH</b> 100 watt Metal Halide*	<b>208V-MT</b>			<b>Accessories</b>	
	<b>150MH</b> 150 watt Metal Halide*	<b>240V-M</b>			<b>RPC</b> Receptacle Photo Control	
	<b>175MH</b> 175 watt Metal Halide*	<b>277V-MT</b>				
	<b>42PLT</b> 42 watt Compact Fluorescent (120V)		<b>Distribution</b>			
	<b>55QL</b> 55 watt QL Lamp (120V, 200-277V)		<b>III</b> Refractive Globe, Type III (Standard)			
	<b>85QL</b> 85 watt QL Lamp (120V, 200-277V)		<b>OR</b>			
	* Available Pulse Start, ADD <b>PS</b> , i.e. 175MHPS		<b>V</b> Refractive Globe, Type V			
	Consult factory for other lamping options.	For other non-HID lamps advise voltage.				