

GE
Lighting Solutions

Roadway Lighting

M-400A Powr/Door™ with Cutoff Optics (MDCA & MDCL)



imagination at work

Product Features

From HID to LED, GE continues to push Roadway Lighting to new heights. Recognized for the highest quality and reliability in street, highway, parkway, and commercial applications, GE offers a wide selection of styles to meet the lighting needs of municipalities, utilities, DOT customers and more.

Applications

- For street, highway or parking lot lighting

Housing

- Die-cast aluminum housing.
- External paddle type stainless steel bail latch

Finish

- Polyester powder gray paint finish

Ratings

- /c listed unit available

Mounting

- Universal two or four-bolt slipfitter
- 2 in. pipe mounting only with MDRA

Reflectors

- Standardized reflector
- ALGLAS™ finish on reflector

Unique Features

- Plug-in ignitor standard
- Minimum start -30°F
- Filtered optics
- Lamp included
- "Dead back" tunnel type FRP terminal board
- No-tool PE receptacle
- True 90° cutoff – no light above 90° (meets RP8-2000 for full cutoff) with flat glass
- Powr/Module ballast assembly

Ordering Number Logic

M-400A Powr/Door™ with Cutoff Optics (MDCA & MDCL)



2

PROD. ID	WATTAGE	LIGHT SOURCE	VOLTAGE	BALLAST TYPE SELECTION	PE FUNCTION	IGNITOR MOUNTING	LENS TYPE	IES DISTRIBUTION TYPE	FILTER	OPTIONS
MDCA = M-400A with Cutoff* Optics 4-Bolt Slipfitter	10 = 100 15 = 150 (55V) 17 = 175 20 = 200 24 = 250/400 25 = 250 31 = 310	E = Energy Act Compliant Pulse MH (EPMH) S = HPS P = PMH Standard: Lamp not included.	60Hz 0 = 120/208/240/ 277 Multivolt 1 = 120 2 = 208 3 = 240 4 = 277 5 = 480 7 = 120X240 8 = 240V Ballast 120V PE Receptacle not reconnectable D = 347 F = 120X347 T = 220 W = 230 50Hz 6 = 220 R = 230 Y = 240 NOTE: Dual voltage connected for lower voltage	See Ballast Selection Table A = Autoreg H = HPF Reactor or Lag M = Mag-Reg N = NPF Reactor or Lag P = CWI with Grounded Socket Shell	1 =None 2 =PE Receptacle NOTE: Receptacle connected same voltage as unit except as noted. Order PE Control separately.	2 = Plug-in base and Ignitor	A = Acrylic Clear Globe (250 watt Maximum) F = Flat Glass* G = Shallow Glass Globe L = Polycarbonate Clear Globe (250 watt) HPS only * = Previously IESNA Full Cutoff Optics	See Photometric Selection Table S = Short M = Medium C = Cutoff* 1 = Type I 2 = Type II 3 = Type III * = Previously IESNA Full Cutoff Optics	1 = Fiber gasket 2 = Charcoal with elastomer gasket	F = Fusing (Not available with multivolt or dual voltage) J = Line Surge Protector, Expulsion Type (UL not available) N = Meets proposed ANSI C136.31 requirements for Bridge and Underpass Vibration UL listed glass lens (60Hz only) U =

Ballast Selection Table

Wattage	Light Source	Ballast Type/Voltage 60Hz										Ballast Type/Voltage 50Hz			
		Multivolt	120	208	240	277	480	120X240	347** 120X347	240/120 PE R	220	230	220	230	240
150 (55V)	HPS	H,N,A	G,H,M,N	G,M	G,M	G,M	G,M	G,H,M,N	G*,H,M*,N	G,M	N/A	N/A	N/A	N/A	N/A
200	HPS	A,M,P	A,G,H,M,N,P	A,G,H,M,N,P	A,G,H,M,N,P	A,G,M,P	A,G,M	A,G,M,P	N/A	A,G,H,M,N	N/A	H	N/A	N/A	N/A
250	HPS	A,M,P	A,G,H,M,N,P	A,G,H,M,N,P	A,G,H,M,N,P	A,G,M,P	A,G,M,P	A,G,M,P	A,M,P	A,G,H,M,N	A,H	H	A,H,M,N	H	M
250/400	HPS	A	A	A	A	A	A	N/A	N/A	N/A	N/A	N/A	N/A	N/A	N/A
310	HPS	A,M	A,G,M	A,G,H,M,N	A,G,H,M,N	A,G,M	A,G,M	A,G,M	N/A	A,G,H,M,N	N/A	H	N/A	N/A	N/A
400	HPS	A,M	A,G,M	A,G,H,M,N	A,G,H,M,N	A,G,M	A,G,M	A,G,M	A,G,M	A,G,H,M,N	H,A,N	H	A,H,M,N	N/A	A,H,M
175	EPMH	A	A	A	A	A	A	A	N/A	A	N/A	N/A	N/A	N/A	N/A
250	EPMH	A	A	A	A	A	A	A	N/A	A	N/A	N/A	N/A	N/A	N/A
320	EPMH	A	A	A	A	A	N/A	A	N/A	A	N/A	N/A	N/A	N/A	N/A
350	EPMH	A	A	A	A	A	N/A	A	N/A	A	N/A	N/A	N/A	N/A	N/A
400	EPMH	A	A	A	A	A	A	A	N/A	A	N/A	N/A	N/A	N/A	N/A

NOTE: N/A = Not available. *Not available in 120 X 347. C/F = Contact Manufacturer

Photometric Selection Table

CLEAR REFRACTORS.
All light sources are clear.

Wattage	Light Source	IES Distribution Type Photometric Curve Number 35-							
		Flat Glass "F"			Sag Glass "G"			Polycarbonate	
		MC2	MC3	MC1	SC2	SC3	MC2	MC3	
150 (55V)	HPS	450386	450387	N/A	N/A	N/A	450547	450546	C/F
200-400	HPS	451001	451002	N/A	450101	450102	451003	451004	451045** MC3
175, 250, 320,	EPMH	450343	450342	N/A	N/A	N/A	450544	450545	C/F
350, 400	EPMH	452880*	452882*	450281	N/A	N/A	450280	N/A	N/A

NOTE: N/A = Not Available C/F = Contact Manufacturer PMH—Contact Manufacturer *Requires the use of ED-28 Lamp **250 watts maximum

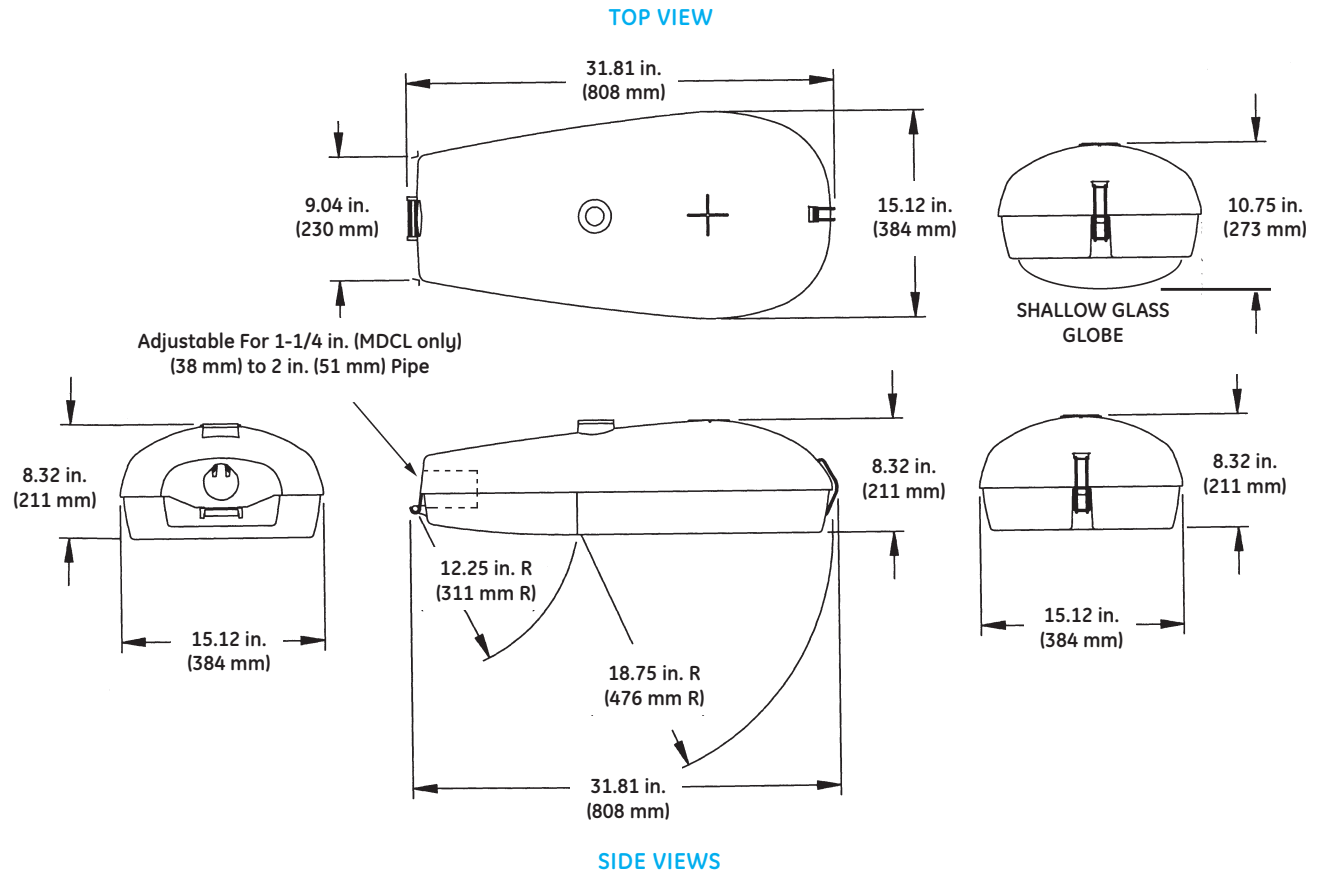
MDCA – Suggested Catalog Ordering Numbers

Catalog Number	Wattage	Light Source	Voltage (60 Hz)	Ballast Type	Refractor Type	Photometric Distribution
MDCA25S0A22FMC21	250	HPS	Multivolt	Auto-Regulator	Glass	MC2
MDCA40S0A22FMC31	400	HPS	Multivolt	Auto-Regulator	Glass	MC3

All GE suggested catalog ordering numbers come with PE receptacle. PE control must be ordered separately. Order and install SCCL-PECTL if no PE is desired.

Multivolt ballasts can be for either 120, 208, 240, or 277 volt incoming power supply.

Product Dimensions



DATA	
	• Approximate Net Weight: 33-39 lbs (15-19 kgs)
	• Effective Projected Area: 1.1 sq. ft. max. (0.1 sq. M max.)
	• Suggested Mounting Height: 30-50 ft. (9-15 M)



GE Lighting Solutions • 1-888-MY-GE-LED • www.gelightingsolutions.com
1-888-69-43-533

GE Lighting Solutions, LLC is a subsidiary of the General Electric Company. The GE brand and logo are trademarks of the General Electric Company.
© 2012 GE Lighting Solutions, LLC. Information provided is subject to change without notice. All values are design or typical values when measured under laboratory conditions.