

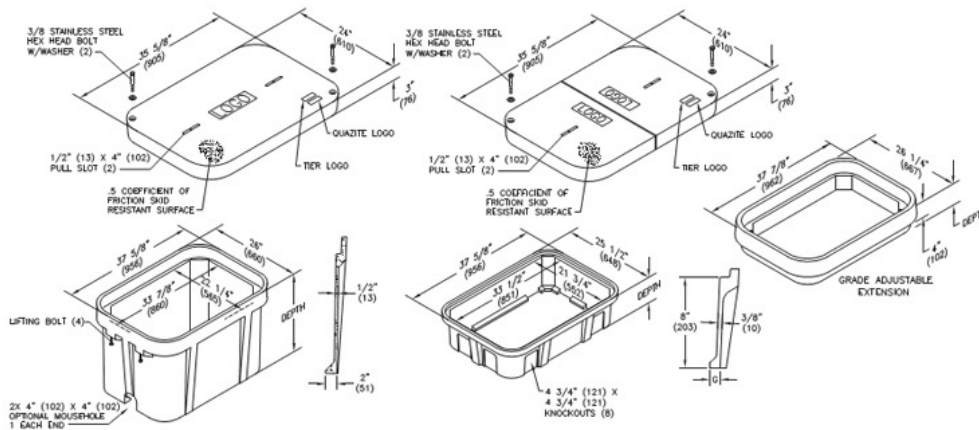


For sales and support visit:  
[hubbellpowersystems.com/contact/](http://hubbellpowersystems.com/contact/)

Home > Products > Enclosures > Underground > Straight > 24 x 36

**24" x 36" PG Style Polymer Concrete (Stackable) Assembly**

**Hex Head Bolts are Standard**



**Covers**

DESCRIPTION	TIER	DESIGN/TEST LOAD#	WEIGHT #	PALLET QTY	PART NO.
UL W/ 2 Bolts	8	8,000 / 12,000	100	10	PG2436CA00**
2 piece w/2 Bolts	8	8,000 / 12,000	122	10	PG2436CS00**
UL W/ 2 Bolts	15	15,000 / 22,500	115	10	PG2436HA00**
UL 2 piece w/2 Bolts	15	15,000 / 22,500	122	10	PG2436HS00**
UL W/ 2 Bolts	22	22,500 / 33,750	122	10	PG2436HH00**
UL No Bolts	8	8,000 / 12,000	100	10	PG2436WA00**

To order gasketed covers, replace the letter "A" with the letter "G".

Replace \*\* with a logo code (Click Here)

NOTE: Gasketed covers and bolt grommets must be used with a gasketed box. Gaskets reduce the inflow of fluids but do not make the enclosure water tight.

**Boxes (Box depths 24" thru 42" must be used as bottom of any stack)**

DESCRIPTION	DEPTH	TIER	DESIGN/TEST LOAD#	WEIGHT #	PALLET QTY	PART NO.
UL Standard Open Bottom	18"	22	22,500 / 33,750	141	4	PG2436BA18
	24"		22,500 / 33,750	180	3	PG2436BA24
	30"		22,500 / 33,750	196	2	PG2436BA30
	36"		22,500 / 33,750	254	2	PG2436BA36
	42"		22,500 / 33,750	293	1	PG2436BA42
UL Solid Bottom	18 1/2"	22	22,500 / 33,750	171	4	PG2436DA18
	24 1/2"		22,500 / 33,750	228	3	PG2436DA24
	30 1/2"		22,500 / 33,750	238	2	PG2436DA30
	36 1/2"		22,500 / 33,750	282	2	PG2436DA36
	42 1/2"		22,500 / 33,750	321	1	PG2436DA42

To order boxes with 2 standard mouseholes, replace the letter "A" with the letter "B".

To order gasketed boxes, replace the letter "A" with the letter "G".

NOTE: 24" thru 42" boxes must be used as bottom on any stack.

NOTE: Gasketed covers and bolt grommets must be used with a gasketed box. Gaskets reduce the inflow of fluids but do not make the enclosure water tight.

**Bottom Extensions (for use under 12" and 18" boxes only, one per box)**

DESCRIPTION	DEPTH	TIER	DESIGN/TEST LOAD#	WEIGHT #	PALLET QTY	PART NO.
Open Bottom	8 3/4"	22	22,500 / 33,750	81	6	PG2436EA08
Solid Bottom	9 1/4"	22	22,500 / 33,750	95	6	PG2436RA08

**Grade Adjustable Extension**

DESCRIPTION	DEPTH	TIER	DESIGN/TEST LOAD#	WEIGHT #	PALLET QTY	PART NO.
4" top extension, 1/2 thread	7 1/8"	22	22,500 / 33,750	80	6	PG2436ED04
4" top extension, 3/8 thread	7 1/8"	22	22,500 / 33,750	80	6	PG2436E503



All contents Copyright© 2001 - 2013 Hubbell Incorporated. All rights reserved. Because Hubbell has a policy of continuous product improvement, we reserve the right to change design specifications without notice.  
[Terms of Use](#) | [Contact Us](#) | [Site Map](#) | [Careers](#)