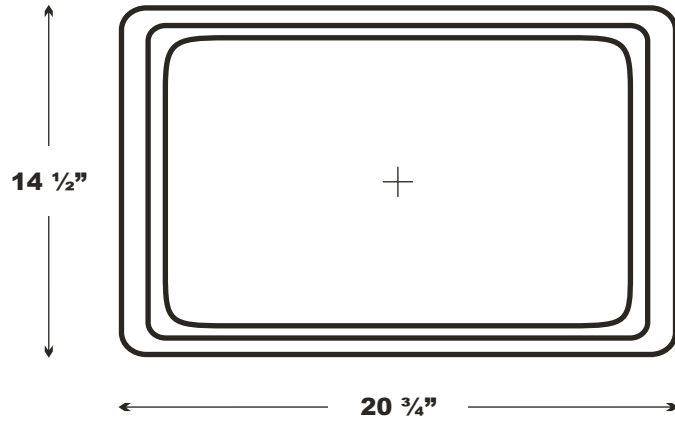
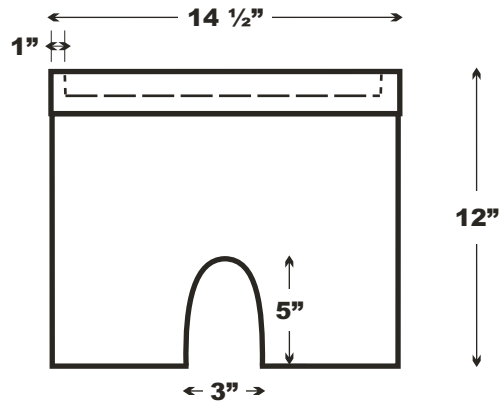
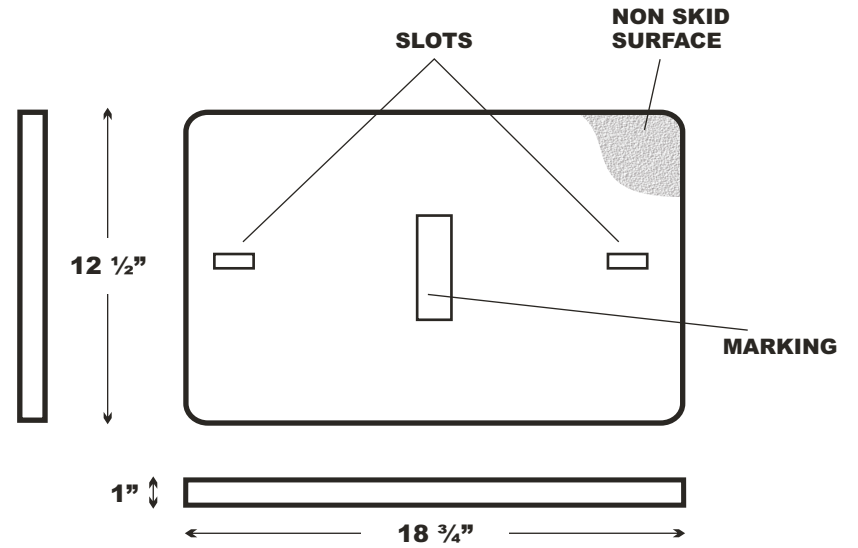


111812 Polymer Concrete Box & Cover

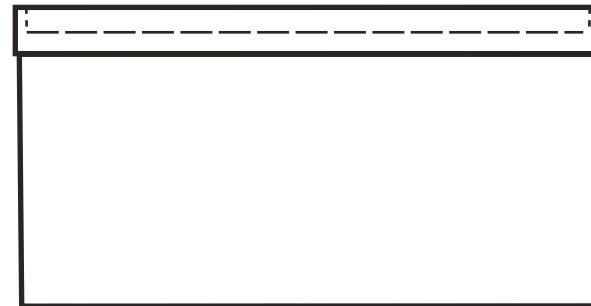
TOP VIEW



COVER VIEW



END VIEW



SIDE VIEW

Part No. 111812 PC		
BODY: POLYMER CONCRETE		
COVER: POLYMER CONCRETE		
Weight 55 lbs.	Tolerance +/- 1/8"	Weight Load 10,400k
Date Jan 8 2010	File 111812 PC	



Martin Enterprises
"Your Underground Enclosure Experts"

WWW.MARTINFRP.COM

7231 Boulder Ave. #262
Highland, CA 92346
Tel: 951.928.8713
Fax: 951.928.4623

This product design is the sole property of Martin Enterprises. This design is NOT to be altered unless written permission is allowed by Martin Enterprises only.