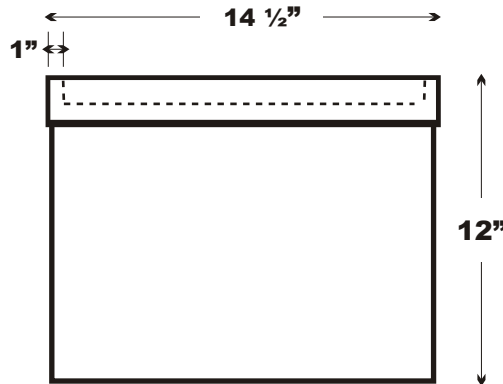
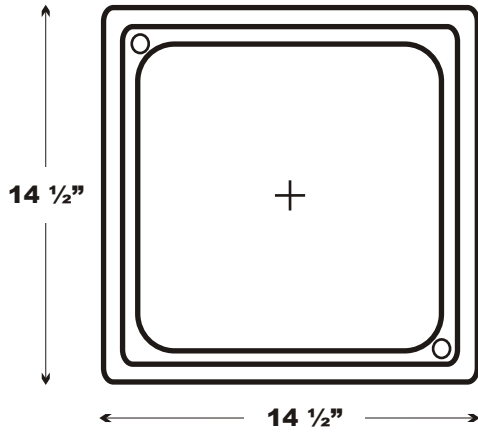


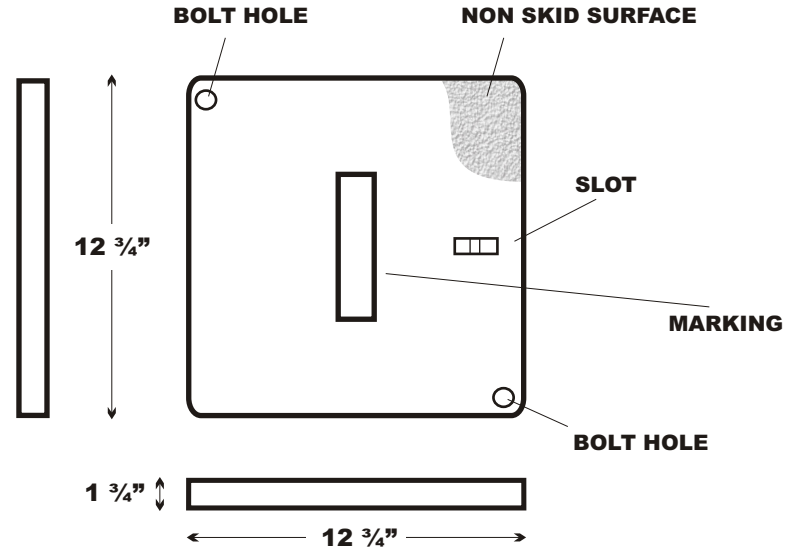
121212 PC Ring and Cover - HD

TOP VIEW



END VIEW

COVER VIEW



SIDE VIEW

Part No. 121212 PC HD		
BODY: POLYMER CONCRETE		
COVER: POLYMER CONCRETE		
Weight 55 lbs.	Tolerance +/- 1/8"	Weight Load 20k
Date Oct 8 2011	File 121212 PC HD	



WWW.MARTINFRP.COM
Martin Enterprises
 "Your Underground Enclosure Experts"
 ISO 9001:2008
 Registered Firm
 Certificate # A3395US

7231 Boulder Ave. #262
 Highland, CA 92346
 Tel: 951.928.8713
 Fax: 951.928.4623
 This product design is the sole property of Martin Enterprises. This design is NOT to be altered unless written permission is allowed by Martin Enterprises only.