

7

6

5

4

3

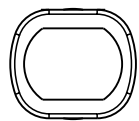
2

1

CATALOG NUMBER	AWG				CATALOG NUMBER	METRIC WIRE SIZE				RECOMMENDED TIGHTENING TORQUE IN-LBS [N-m]	LETTERING LOCATOR TYPE
	RANGE FOR EQUAL RUN & TAP (COPPER)			MINIMUM TAP WITH MAXIMUM CABLE RUN		RANGE FOR EQUAL RUN & TAP (COPPER)			MINIMUM TAP WITH MAXIMUM CABLE RUN		
	MAX. SOLID CONDUCTOR	MINIMUM	MAXIMUM			MAX SOLID CONDUCTOR	MINIMUM	MAXIMUM			
KS15	#8 SOL (.129)	#10 STR (.116)	#8 STR (.146)	#14 STR (.073)	KS15	10mm <sup>2</sup> SOL [3.2]	6mm <sup>2</sup> STR [3.3]	10mm <sup>2</sup> STR [4.0]	2.5mm <sup>2</sup> STR [2.2]	80 [9]	C
KS17	#6 SOL (.162)	#8 STR (.146)	#6 STR (.184)	#14 STR (.073)	KS17	16mm <sup>2</sup> SOL [4.0]	10mm <sup>2</sup> STR [4.0]	10mm <sup>2</sup> STR [4.0]	2.5mm <sup>2</sup> STR [2.2]	165 [18.6]	C
KS20	#4 SOL (.204)	#8 STR (.146)	#4 STR (.232)	#14 STR (.073)	KS20	-----	10mm <sup>2</sup> STR [4.0]	16mm <sup>2</sup> STR [5.1]	2.5mm <sup>2</sup> STR [2.2]	165 [18.6]	A
KS22	#2 SOL (.258)	#6 STR (.184)	#3 STR (.260)	#14 STR (.073)	KS22	-----	16mm <sup>2</sup> STR [5.1]	25mm <sup>2</sup> STR [6.3]	2.5mm <sup>2</sup> STR [2.2]	275 [31.1]	A
KS23	#1 SOL (.289)	#6 STR (.184)	#2 STR (.292)	#14 STR (.073)	KS23	-----	16mm <sup>2</sup> STR [5.1]	35mm <sup>2</sup> STR [7.5]	2.5mm <sup>2</sup> STR [2.2]	275 [31.1]	A
KS25	2/0 SOL (.365)	#4 STR (.232)	1/0 STR (.373)	#14 STR (.073)	KS25	-----	25mm <sup>2</sup> STR [6.3]	50mm <sup>2</sup> STR [9.0]	2.5mm <sup>2</sup> STR [2.2]	385 [43.5]	A
KS26	3/0 SOL (.410)	#2 STR (.292)	2/0 STR (.418)	#14 STR (.073)	KS26	-----	35mm <sup>2</sup> STR [7.5]	70mm <sup>2</sup> STR [10.5]	2.5mm <sup>2</sup> STR [2.2]	385 [43.5]	A
KS27	4/0 SOL (.460)	#1 STR (.332)	3/0 STR (.470)	#8 SOL (.129)	KS27	-----	50mm <sup>2</sup> STR [9.0]	95mm <sup>2</sup> STR [12.5]	10mm <sup>2</sup> SOL [3.2]	500 [56.5]	B
KS29	4/0 SOL (.460)	#1 STR (.332)	250 Kcmil (.575)	#8 STR (.146)	KS29	-----	50mm <sup>2</sup> STR [9.0]	120mm <sup>2</sup> STR [14.0]	10mm <sup>2</sup> STR [4.0]	650 [73.4]	A
KS31	-----	1/0 STR (.373)	350 Kcmil (.681)	1/0 STR (.373)	KS31	-----	70mm <sup>2</sup> STR [10.5]	185mm <sup>2</sup> STR [17.5]	70mm <sup>2</sup> STR [10.5]	650 [73.4]	B
KS34	-----	2/0 STR (.418)	500 Kcmil (.814)	2/0 STR (.418)	KS34	-----	70mm <sup>2</sup> STR [10.5]	240mm <sup>2</sup> STR [20.6]	70mm <sup>2</sup> STR [10.5]	825 [93.2]	B
KS39	-----	4/0 STR (.528)	750 Kcmil (.998)	4/0 STR (.528)	KS39	-----	120mm <sup>2</sup> STR [14.0]	300mm <sup>2</sup> STR [22.5]	120mm <sup>2</sup> STR [14.0]	1000 [113.0]	B
KS44	-----	300 Kcmil (.630)	1000 Kcmil (1.152)	4/0 STR (.528)	KS44	-----	150mm <sup>2</sup> STR [15.7]	500mm <sup>2</sup> STR [29.1]	120mm <sup>2</sup> STR [14.0]	1100 [124.3]	B
KS90	#8 SOL (.129)	#12 STR (.092)	#10 STR (.116)	#16 STR (.058)	KS90	-----	4mm <sup>2</sup> STR [2.3]	6mm <sup>2</sup> STR [3.3]	1.5mm <sup>2</sup> STR [1.4]	80 [4]	C

C

C



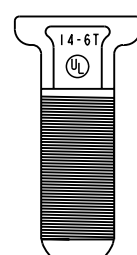
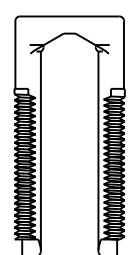
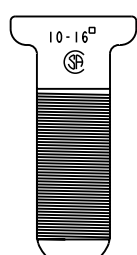
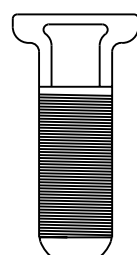
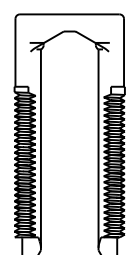
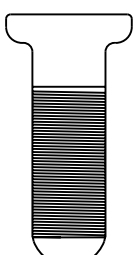
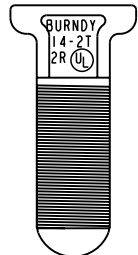
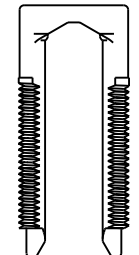
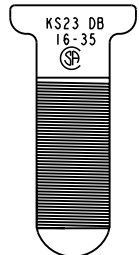
TYPICAL LETTERING TYPE A



TYPICAL LETTERING TYPE B



TYPICAL LETTERING TYPE C

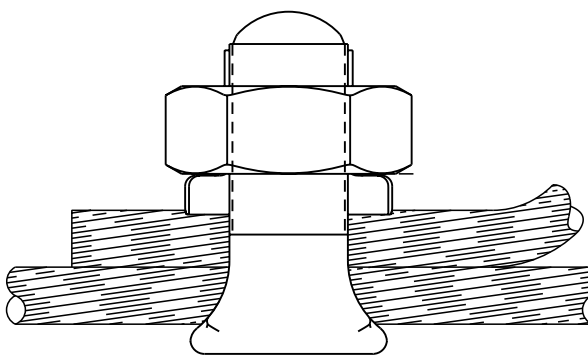


B

B

NOTES:

- MATERIAL: COPPER ALLOY
- DIMENSIONS IN BRACKET [ ] ARE IN MILLIMETERS ROUNDED OFF TO THE NEAREST MILLIMETER, UNLESS OTHERWISE NOTED, AND ARE FOR REFERENCE ONLY.
- UL 486A LISTED. FILE NO. E9498.
- CSA C22.2 NO. 65 LISTED. FILE NO. 42862.
- UL467 LISTED, FILE NO. E9999. SUITABLE FOR DIRECT BURIAL, THIS DOES NOT APPLY TO KS39 OR KS44.
- CSA C22.2 NO.41 CERTIFIED. SUITABLE FOR DIRECT BURIAL, THIS DOES NOT APPLY TO KS39 OR KS44.
- THIS DRAWING TO BE INTERPRETED PER ASME Y14.5M-1994.
- LISTED TORQUE VALUES ARE FOR MAXIMUM CONDUCTOR COMBINATIONS. CONSULT UL486 A-B TABLES 21, 22, 23, FOR SMALLER CONDUCTOR COMBINATIONS.



TO ORDER BURNDY® PRODUCTS CALL  
 UNITED STATES  
 1-800-346-4175 (LONDONDERRY, NH)  
 CANADA:  
 1-800-361-6975 (QUEBEC)  
 1-800-387-6487 (ALL OTHER PROVINCES)  
 FOR PRODUCT INFO: <http://www.burndy.com>

SERVIT™	
ITEM NO:	SEE TABLE
CAT. NO:	KS-- (TABLE)
DRAWN BY:	D.Dobrinski 8/11/10
CHECKER:	J.Hall 8/10/10
DSN APPVL:	W.Zahlman 8/11/10
MFG APPVL:	-- --
QA APPVL:	J.Brodeur 10/13/10
MKT APPVL:	J.Hall 8/10/10
PROJ FAM:	SERVITS
PROJECT #:	--
DOCUMENT TYPE:	Sales
REL LEVEL:	Released
DRAWING NO	SD078561
REV	E
SCALE:	1:1
SIZE	D
SHEET 1 OF 2	

A

A

REV: PE0200

8

7

6

5

4

3

2

1

DRAWING NO.  
SD078561

7

6

5

4

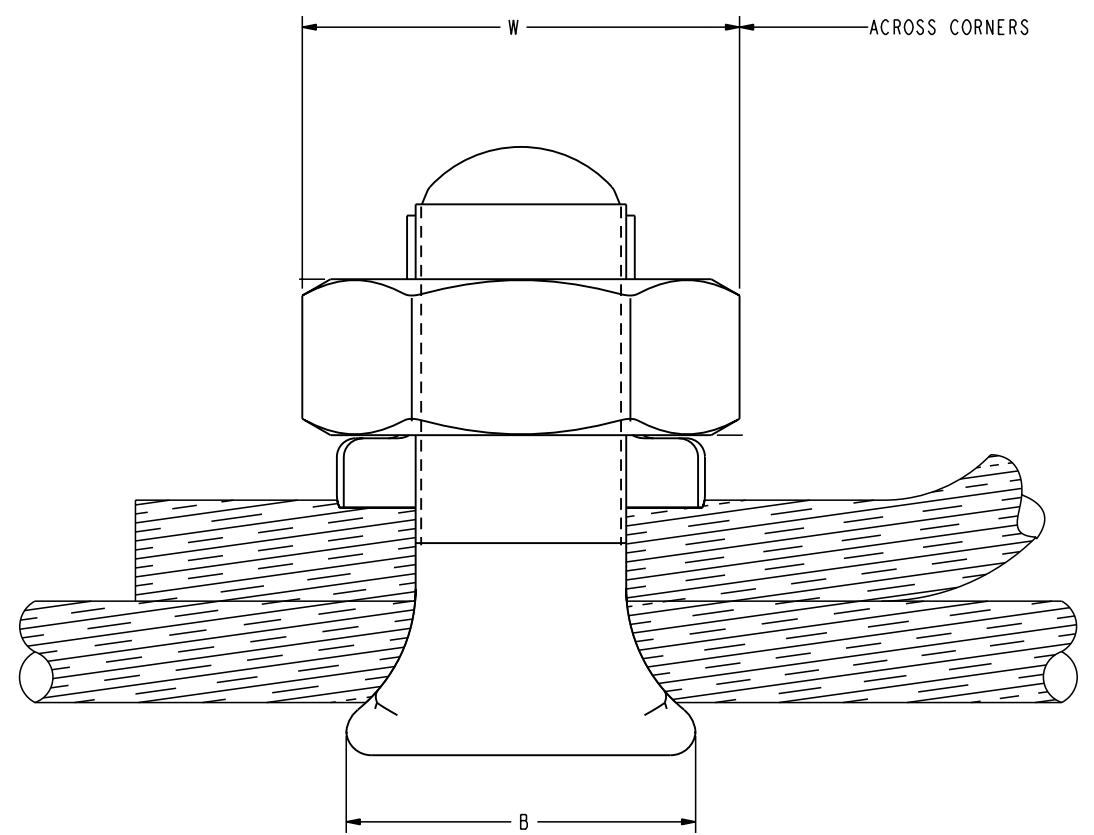
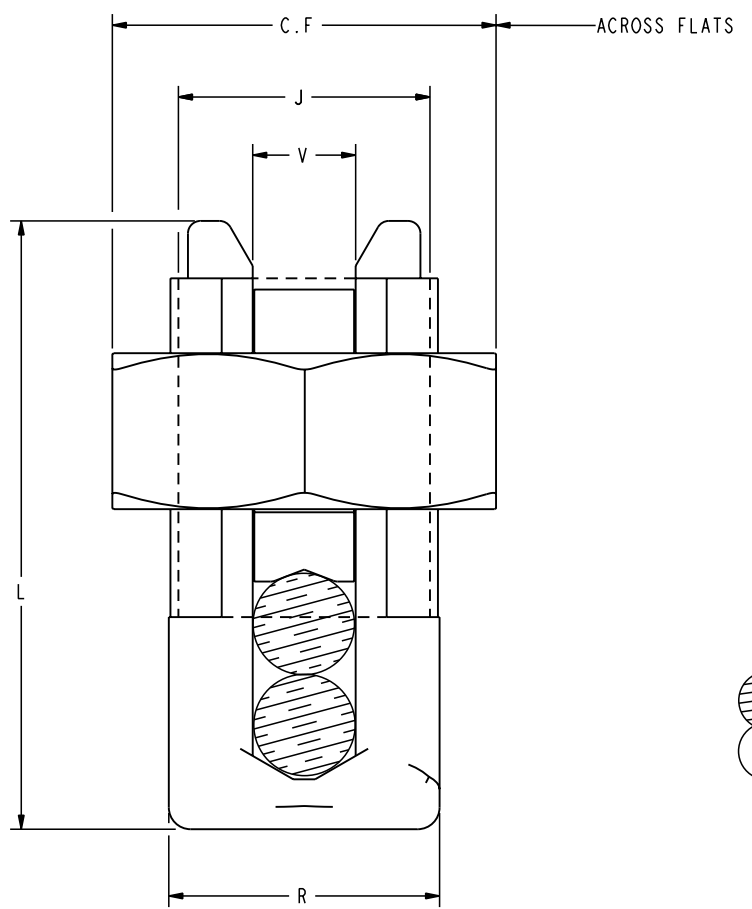
3

2

1

REV	DATE	DESCRIPTION	ECO	BY	C'H'K.
E	5/26/2011 3:37:00 PM	UPDATED AS PER CHANGE	24417	RLB	JH

CATALOG NUMBER	B	C.F.	J	L	R	V	W
KS15	.45 [11]	.50 [13]	3/8"-24NF-2	.85 [22]	.38 [10]	.14 [4]	.57 [15]
KS17	.58 [15]	.63 [16]	7/16"-20NF-2	1.14 [30]	.45 [11]	.16 [4]	.70 [18]
KS20	.65 [17]	.64 [18]	1/2"-20NF-2	1.20 [31]	.51 [13]	.22 [6]	.78 [20]
KS22	.69 [18]	.75 [19]	19/32"-20NS-2	1.50 [38]	.60 [15]	.26 [7]	.84 [21]
KS23	.72 [18]	.82 [21]	5/8"-18UNF-2	1.54 [39]	.62 [16]	.32 [8]	.92 [23]
KS25	.81 [21]	.94 [24]	3/4"-16UNF-2	1.77 [45]	.73 [19]	.38 [10]	1.06 [27]
KS26	.90 [23]	1.05 [27]	7/8"-14UNF-2	1.94 [49]	.82 [21]	.44 [11]	1.18 [30]
KS27	1.00 [25]	1.36 [35]	1 1/8"-12NF-2	2.04 [52]	1.17 [30]	.55 [14]	1.56 [37]
KS29	1.00 [25]	1.39 [35]	1 1/8"-12NF-2	2.25 [57]	1.00 [25]	.60 [15]	1.56 [37]
KS31	1.25 [32]	1.70 [43]	1 3/8"-12UNF-2	2.60 [66]	1.41 [36]	.71 [18]	1.96 [50]
KS34	1.31 [33]	1.82 [46]	1 7/16"-12UN-2	2.83 [72]	1.48 [38]	.85 [22]	2.10 [53]
KS39	1.75 [45]	2.31 [59]	1 7/8"-12UN-2	3.51 [89]	1.94 [49]	1.02 [26]	2.62 [67]
KS44	2.10 [53]	2.56 [65]	2 1/8"-12UN-2	3.90 [99]	2.19 [56]	1.17 [28]	2.91 [74]
KS90	.45 [11]	.50 [13]	3/8"-24NF-2	.85 [22]	.38 [10]	.14 [4]	.57 [15]



- NOTES:
- MATERIAL: COPPER ALLOY
  - DIMENSIONS IN BRACKET [ ] ARE IN MILLIMETERS ROUNDED OFF TO THE NEAREST MILLIMETER, UNLESS OTHERWISE NOTED, AND ARE FOR REFERENCE ONLY.
  - UL 486A LISTED. FILE NO. E9498.
  - CSA C22.2 NO. 65 LISTED. FILE NO. 42862.
  - UL467 LISTED, FILE NO. E9999. SUITABLE FOR DIRECT BURIAL, THIS DOES NOT APPLY TO KS39 OR KS44.
  - CSA C22.2 NO. 41 CERTIFIED. SUITABLE FOR DIRECT BURIAL, THIS DOES NOT APPLY TO KS39 OR KS44.
  - THIS DRAWING TO BE INTERPRETED PER ASME Y14.5M-1994.
  - LISTED TORQUE VALUES ARE FOR MAXIMUM CONDUCTOR COMBINATIONS. CONSULT UL486 A-B TABLES 21, 22, 23, FOR SMALLER CONDUCTOR COMBINATIONS.

TO ORDER BURNDY® PRODUCTS CALL		SERVIT™	
UNITED STATES 1-800-346-4175 (LONDONDERRY, NH)		ITEM NO: SEE TABLE	CAT. NO: KS-- (TABLE)
CANADA: 1-800-361-6975 (QUEBEC) 1-800-387-6487 (ALL OTHER PROVINCES)		DRAWN BY: D.Dobrinski 8/11/10	CHECKER: J.Hall 8/10/10
FOR PRODUCT INFO: <a href="http://www.burndy.com">http://www.burndy.com</a>		DSN APPVL: W.Zahlman 8/11/10	MFG APPVL: -- --
		QA APPVL: J.Brodeur 10/13/10	MKT APPVL: J.Hall 8/10/10
		PROJ #: --	SCALE: 1:1
		DOCUMENT TYPE: Sales	DRAWING NO: SD078561
		REL LEVEL: Released	SHEET 2 OF 2

REV: PE0200

8

7

6

5

4

3

2

1