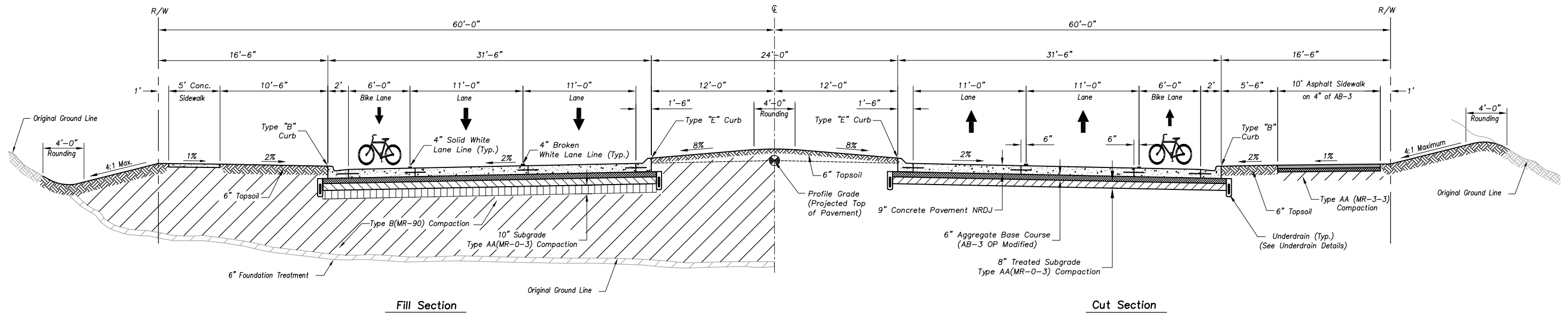


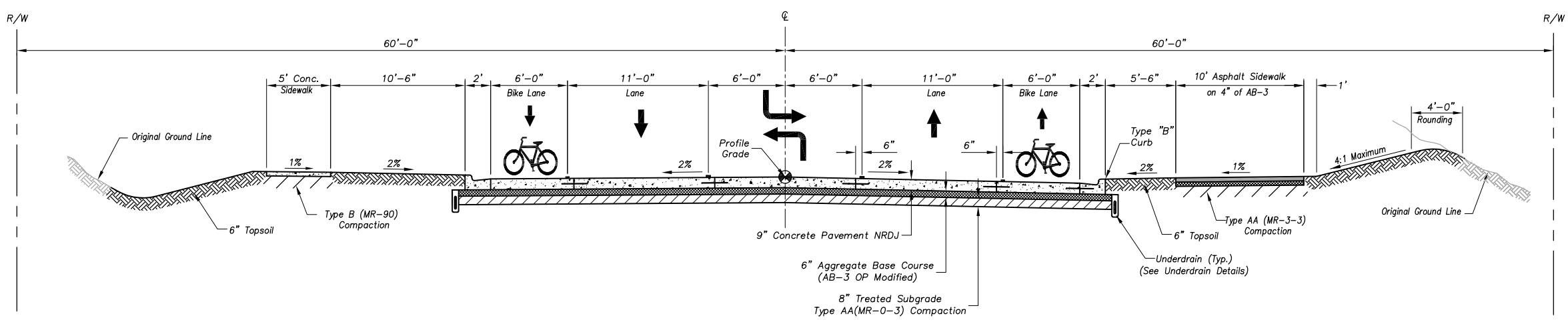
March 14, 2022 - 10:53 AM fideison
 K:\Details_Specs\Detail_Drawings\Utilities\Typical Sections - Thoroughfare Ultimate & Interim_March-2022.dwg



Fill Section

Cut Section

Ultimate 4-Lane Divided Section



Ultimate 3-lane Section

NO.	DATE	REVISIONS	BY
1			
2			
3			