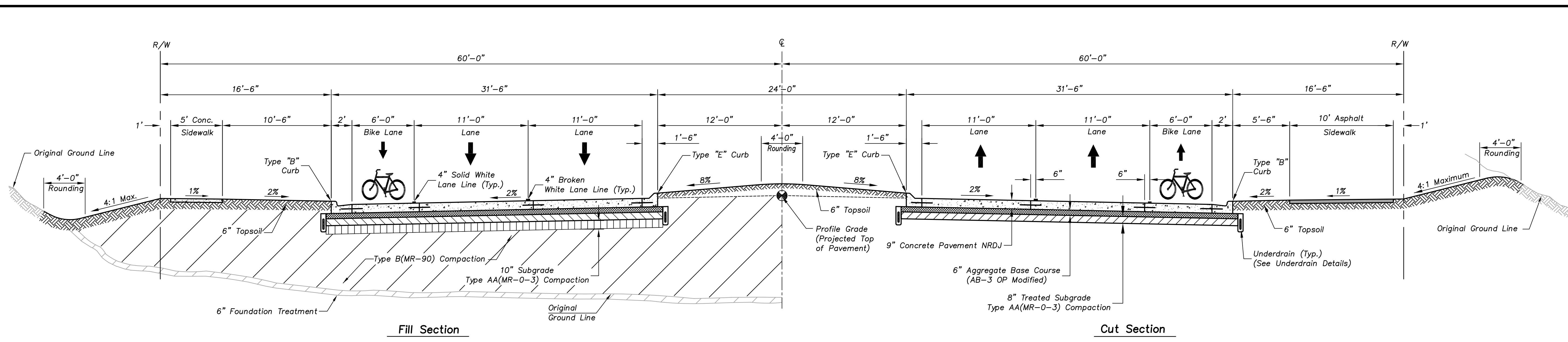
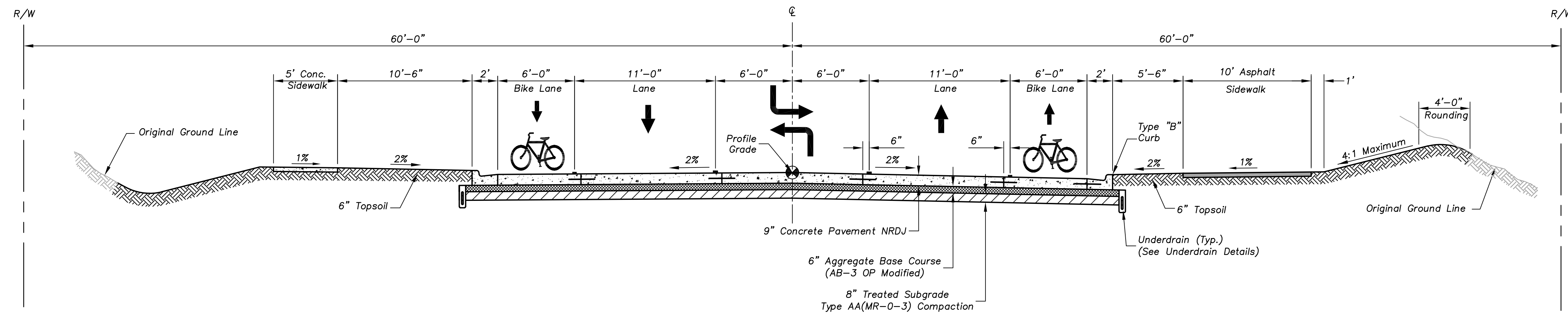


NO.	DATE	REVISIONS	BY
1			
2			
3			

SHEET NO.	TOTAL SHEETS
1	1



Ultimate 4-Lane Divided Section



Ultimate 3-lane Section

March 11, 2021 - 1:59 PM rldelton  
K:\Details\_Specs\Drawings\Details\_english\extras\Typical Sections - Thoroughfare Ultimate & Interim-Jan-2021.dwg