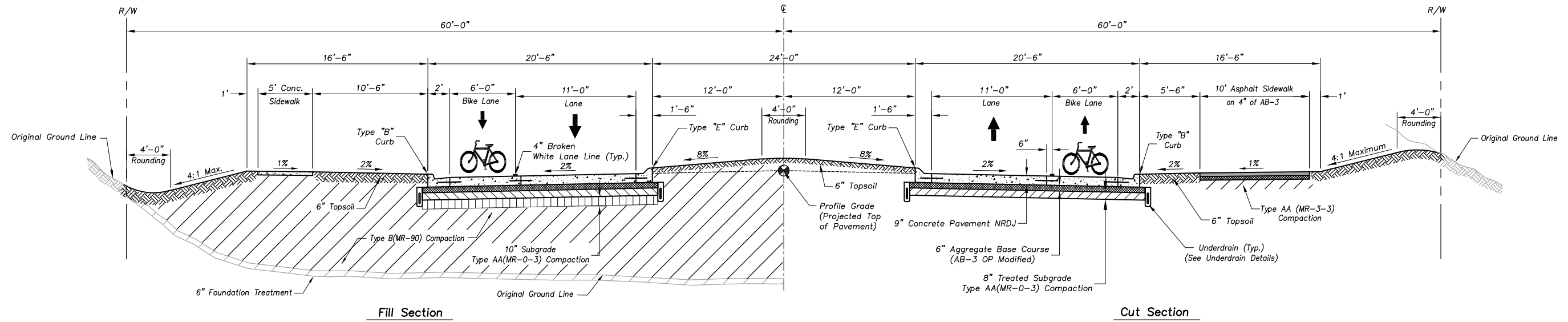
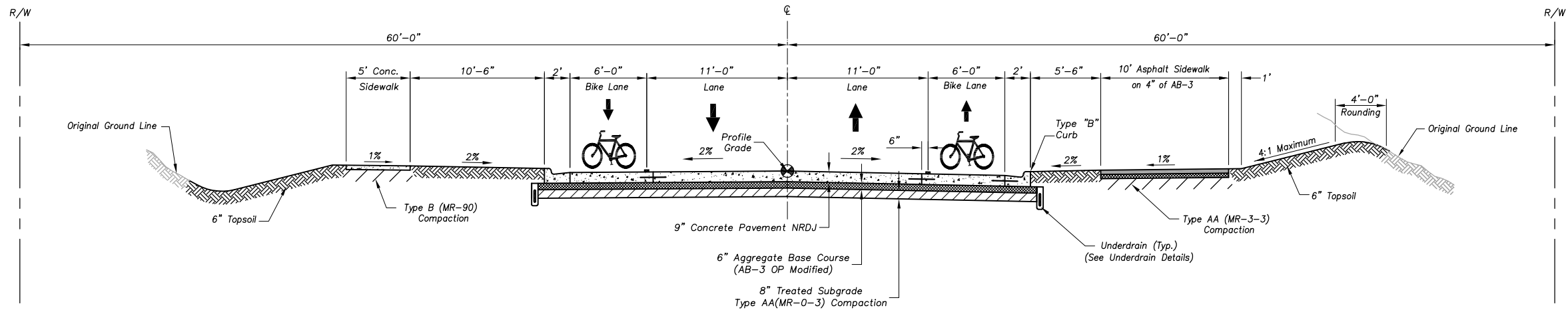


March 14, 2022 - 10:53 AM fideison
 K:\Details_Specs\Detail_Drawings\Details_english\extras\Typical Sections - Thoroughfare Ultimate & Interim_March-2022.dwg



Ultimate 2-Lane Divided Section



Ultimate 2-Lane Undivided Section

NO.	DATE	REVISIONS	BY
1			
2			
3			