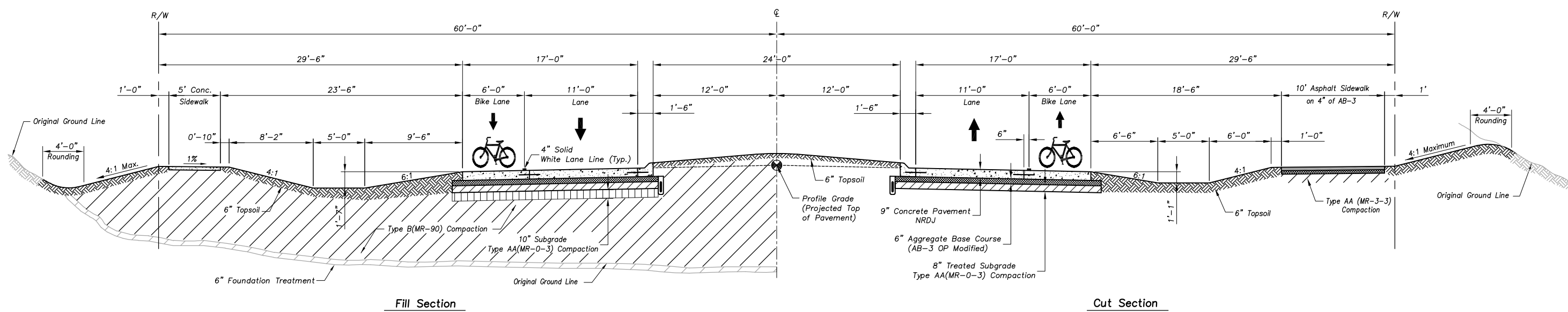
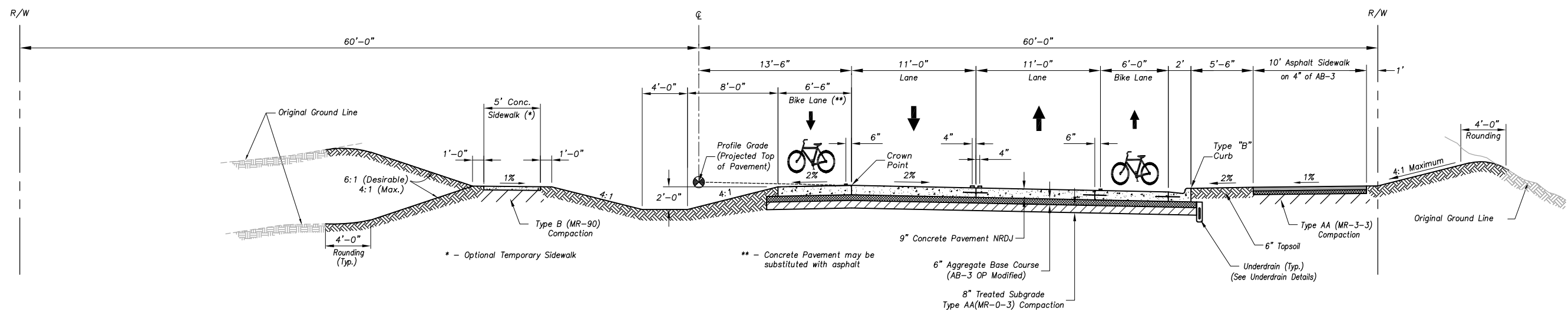


NO.	DATE	REVISIONS	BY
1			
2			
3			



Interim Section - Divided



Interim Section - Undivided

March 14, 2022 - 10:53 AM fideison  
K:\Details\_Specs\Detail\_Drawings\Detail\_english\extras\Typical Sections - Thoroughfare Ultimate & Interim\_March-2022.dwg