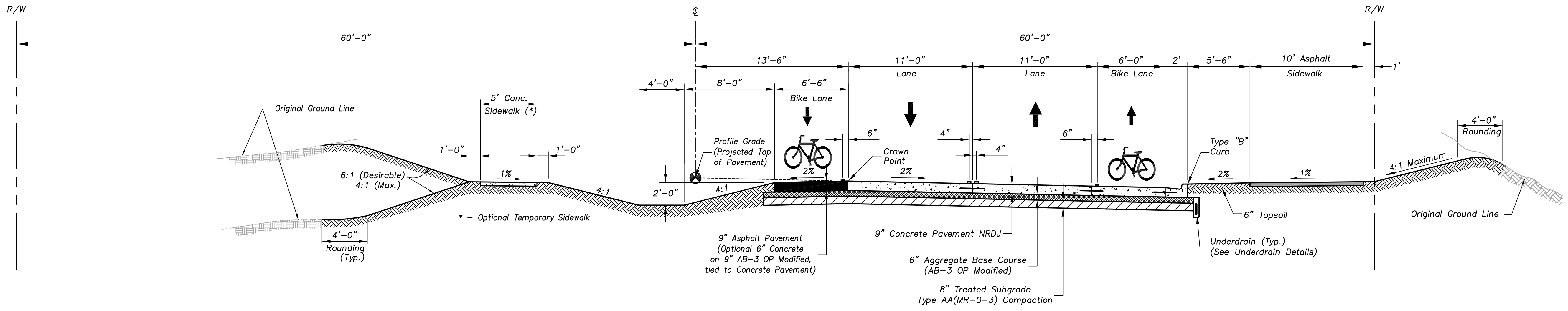


Interim Section - Divided



Interim Section - Undivided

March 11, 2021 - 1:59 PM rldelson
K:\Details_Specs\Detail_Drawings\extras\english\extras\Typical Sections - Thoroughfare Ultimate & Interim-Jan-2021.dwg

NO.	DATE	REVISIONS	BY
1			
2			
3			