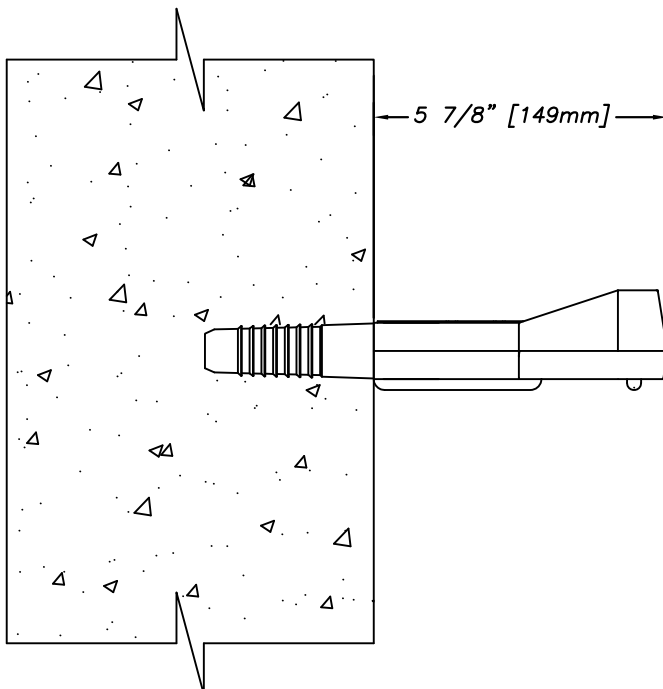


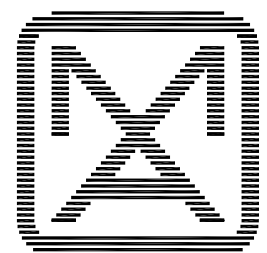
**Copolymer Polypropylene Plastic**

13mm  
1/2" **GRADE 60 STEEL REINFORCEMENT**



**SECTION-A**

**MEETS: ASTM C-478  
ASTM D-4101  
ASTM A-615  
AASHTO M-199**



**M . A . I N D U S T R I E S , I N C .**