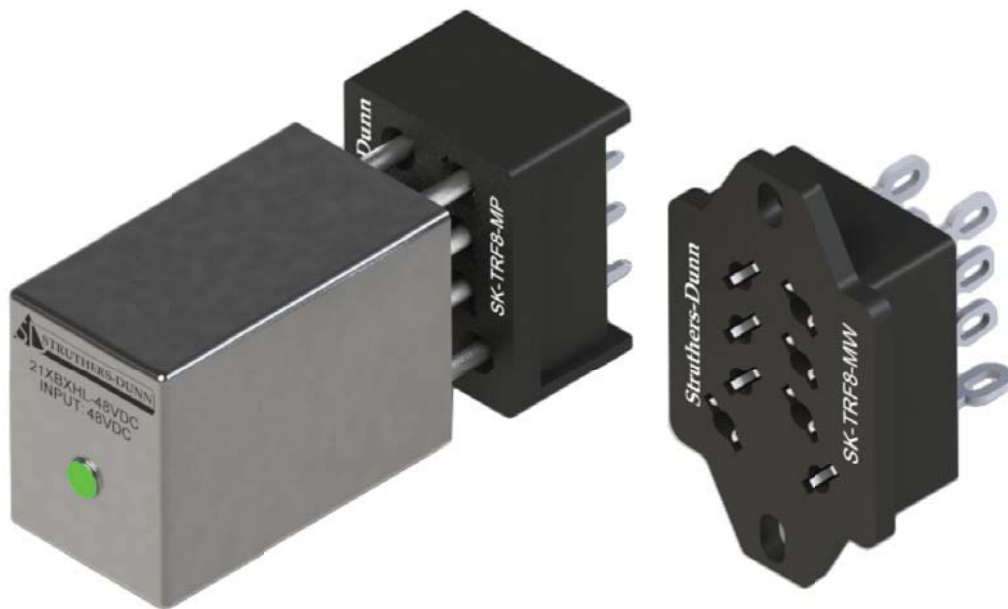


*Flash Transfer Relay
for
Next Generation ATC Cabinets
21H Series*



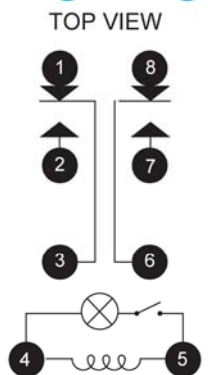
- Long Contact Life
 - Hermetically Sealed
 - Dry Nitrogen Atmosphere
 - Cupronickel Cover - Salt Water Resistant
(No- contact corrosion/moisture/condensation/ant nest, problems)
- “Operated” LED Indicator
 - Indicates that the contacts have transferred
(Not just coil-voltage applied indication)
- Coil Voltage: 12, 24, 48VDC / 120VAC - Other Voltages Available Upon Request
- Output: 10 mA to 10 A load up to 120VAC or up to 48VDC
- Panel-Mount or PCB Sockets Available

General Specifications

21XBXHL-12, 24, 48VDC / 120VAC

Input	
Coil Voltage	12, 24, 48 VDC / 120 VAC - Other Voltages Available Upon Request
Pull-in-voltage	80% of pulsed nominal voltage or less for DC. Ambient (Coil warm and stabilized)
Drop-out-voltage	10% of Coil Voltage
Maximum Voltage	110% of Coil Voltage
Coil Insulation	Class "B" coil insulation system (130°C per UL standard 1446)
Continuous (Nominal Coil) Dissipation	0.9 Watts @ 25°C.
Duty	Continuous
Contacts	
Contact Configuration	2PDT
Contact Material	Silver Alloy
Contact Load Minimum	10 mA up to 120 VAC or up to 48 VDC, Resistive
Contact Rating Maximum	10 A up to 120 VAC or up to 48 VDC, Resistive
Performance	
Operate Time	20 ms @ Nominal Voltage
Environment	
Operating	-25°C to 70°C @ rated operation
Storage	-60°C to 130°C
Miscellaneous	
Enclosure	Hermetically sealed can-Dry Nitrogen back-filled atmosphere
Finish	Natural Shiny Metallic Finish
Weight	45 g (1.6 oz)

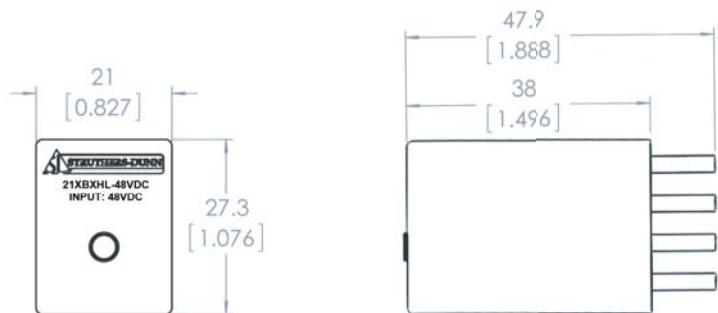
Wiring Diagram



(Universal Polarity)

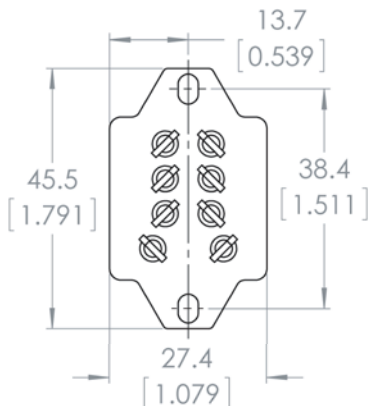
Outline Dimensions

Dimensions shown in millimeters and (inches)

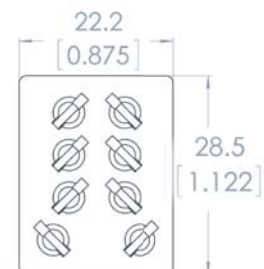


Mating Sockets

SK-TRF8-MW
(Panel Mount)



SK-TRF8-MP
(PCB Mount)



Struthers-Dunn

407 E Smith Street - Suite B
Timmonsville, SC 29161
Phone: (843) 346 - 4427 Fax: (843) 346 - 4465
Sales & Technical Email: info@struthers-dunn.com

Visit us at www.struthers-dunn.com