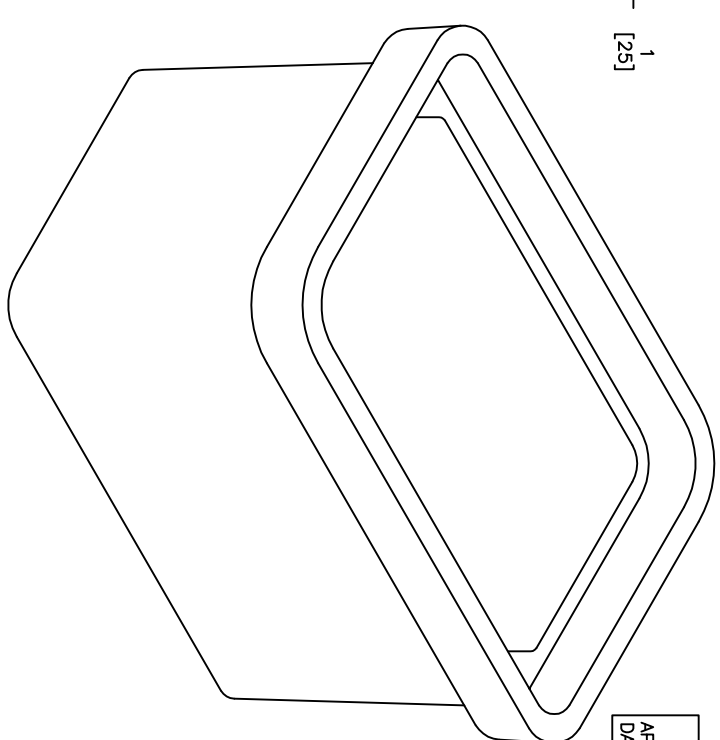


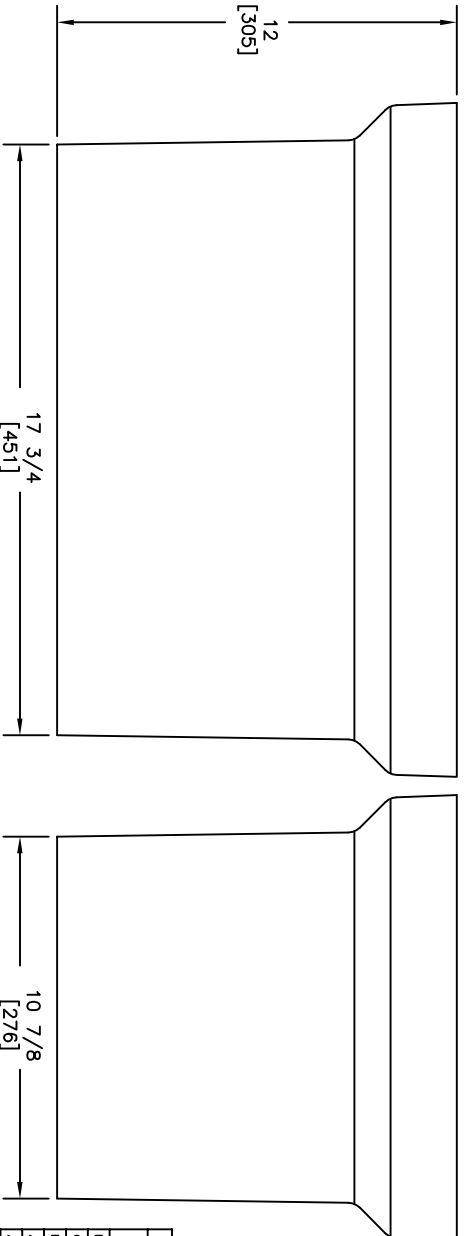
CUSTOMER APPROVAL
 APPROVED BY: _____
 DATE: _____



SECTION A-A

NOTE:

1. THIS BOX IS RATED FOR ANSI/SCIE 77 2010 TIER 22.



DIMENSIONS ARE IN INCHES OR MILLIMETERS IN BRACKETS UNLESS OTHERWISE NOTED.		WEIGHT	40#	LOC
BY	DATE	18kg		
DRN <i>W/9/07</i>	8/14/01	SCALE	3"=1'	
CHK <i>M/07</i>	8/16/01	DRAWING DESCRIPTION	QUAZITTE® BOX	
ENG <i>M/07</i>	8/16/01	SIZE	11 X 18 X 12	
APP <i>M/07</i>	8/16/01	B	REV	F
PROJECT NUMBER	91270	SHEET	1 OF 1	DRAWING NUMBER
				PG1118BA12
				9/12



3621 INDUSTRIAL PARK DR
 LENOIR CITY, TN 37771
 800-346-3062
 www.quazitte.com