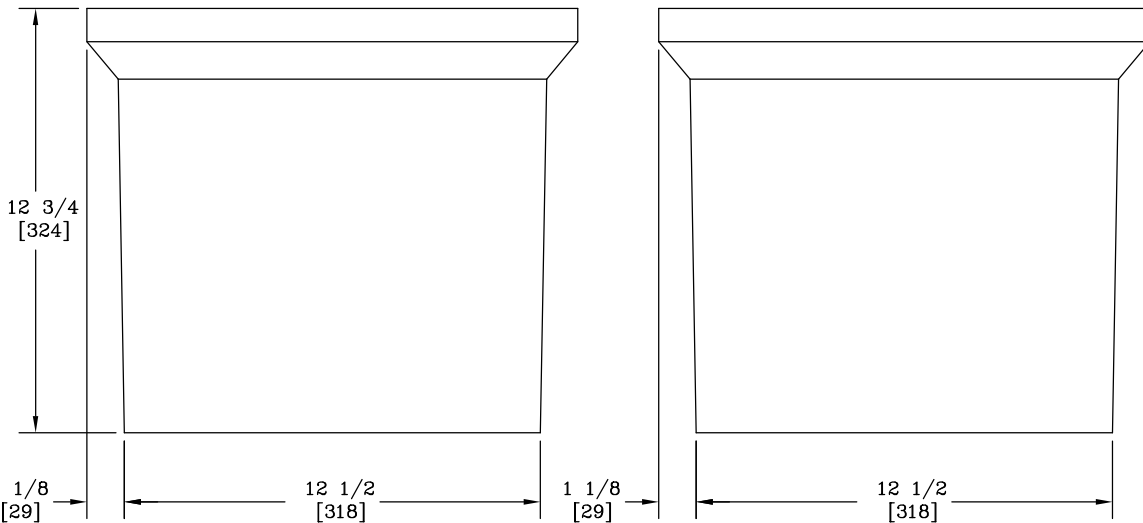


SECTION A-A



NOTE:

1. DIMENSIONS IN BRACKETS ARE IN MILLIMETERS UNLESS OTHERWISE NOTED.

ALL DIMENSIONS ARE IN INCHES UNLESS OTHERWISE SPECIFIED					
DSN	BY	DATE	WEIGHT	HUBBELL	LOC
			36# 16kg	 3621 INDUSTRIAL PARK DR LENOIR CITY, TN 37771 865 986-9726	HQ
DRN	<i>DLB</i>	3/21/89	SCALE		S
CHK	<i>M&amp;F</i>	5/21/89	3"=1'	LENOIR CITY, INC. DRAWING TITLE	REV
ENG	<i>JFD</i>	6/5/89	SIZE		F
APR	<i>FMS</i>	6/5/89	B	QUAZITE® BOX	7/00
APR					
JOB NUMBER			DRAWING NUMBER		
82073			PC1212BA12		
SHEET 1 OF 1					

