

Data Line Surge Protection

TSJ Series

1453-003 RevE



TSJ GbE
1101-994

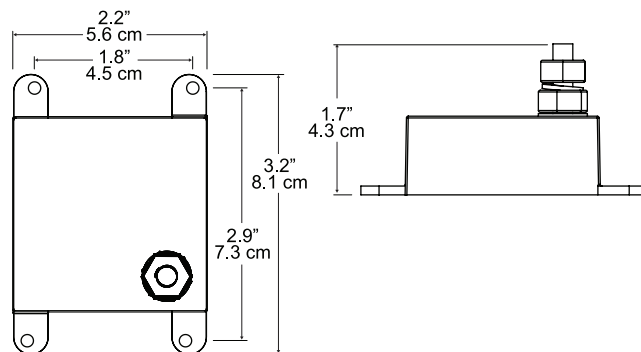
Compact, data line surge protection for gigabit PoE, GbE, PoE and Ethernet with 48 Vdc power

Features

- Easy installation with ground stud and RJ-45 jacks
- High surge current capacity

Standards

- RoHS Compliant
- UL 497A listed (1101-300-1)



TSJ Models	GbE PoE	GbE	POE 24	POE 56	10/100	48 CLT
Part Number	1101-994	1101-990	1101-1068	1101-1074	1101-1001	1101-300-1

Performance

Application	Gigabit PoE	Gigabit	PoE	PoE	Ethernet	T1/E1
Data Rate	1000 Mb/s	1000 Mb/s	10/100 Mb/s	10/100 Mb/s	10/100 Mb/s	1.44/2.048 Mb/s
Pins Protected	All pins L-L and L-G				1, 2, 3, 6	1, 2, 4, 5
Nominal Voltage	48 Vdc	5 Vdc	5 Vdc	48 Vdc	5 Vdc	5 Vdc
MCOV	56 Vdc	11 Vdc	6 Vdc	60 Vdc	11 Vdc	12 Vdc
Max Surge Current 10/1000 μ s per Telcordia GR 1089	1 kA L-L, L-G	500 A L-L, L-G	100 A L-L, L-G	100 A L-L, L-G	500 A L-L, L-G	100 A L-L, L-G
Max Surge Current 8/20 μ s per IEC 6100-4-5	20 kA L-L, L-G	5 kA L-L, L-G	3 kA L-L, L-G	1.5 kA L-L, L-G	5 kA L-L, L-G	1.5 kA L-L, L-G

Mechanical

Input/Output Connector	Shielded RJ-45	Non Shielded RJ-45
Dimensions HxWxD	3.2" x 2.2" x 1.7" 8.1 cm x 5.6 cm x 4.3 cm	
Weight	0.2 lbs / 0.1 kg	

Environmental

Humidity	90% non-condensing
Operating Temperature	-30°C to +65°C
Enclosure Rating	UL 94V-0