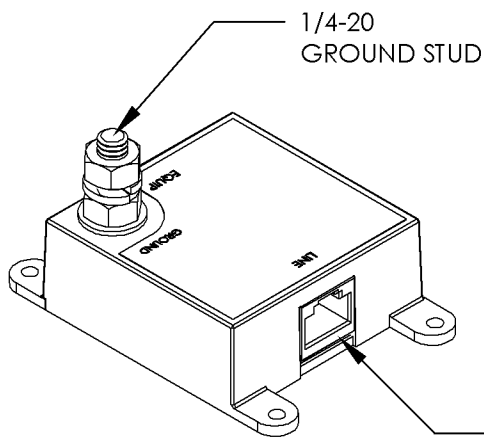
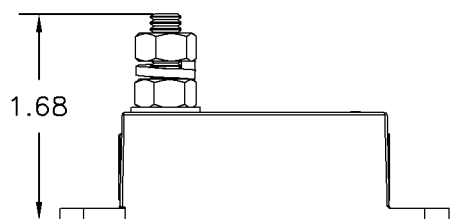
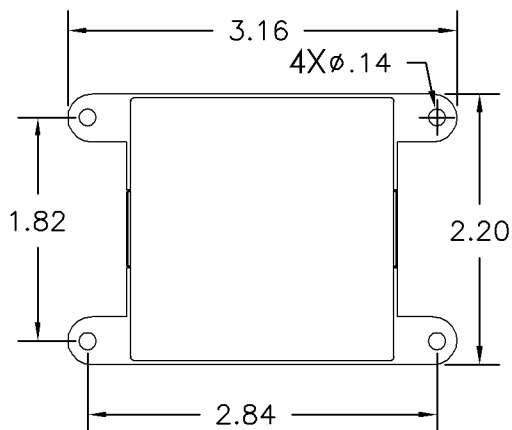


THESE COMMODITIES, TECHNOLOGY OR SOFTWARE WERE EXPORTED FROM THE UNITED STATES IN ACCORDANCE WITH THE EXPORT ADMINISTRATION REGULATIONS. DIVERSION CONTRARY TO U.S. LAW PROHIBITED.

REVISIONS

LTR	DESCRIPTION	ECN NO.	DATE	APPROVED
A	PRODUCTION RELEASE	DD41605	5/13/09	JDW
B	ADD RoHS AND UL	8657	3/2/10	DWR



PART NUMBER 1101-994

DATA RATE: 1000 BASE T. (THROUGHPUT AND O PACKET LOSS TESTED WITH 100 METERS OF CABLE).

PAIRS PROTECTED 1/2, 4/5, 3/6, 7/8  
PINS PROTECTED: ALL L-L & L-G

TURN ON VOLTAGE: 150V L-L, L-G

SERIES RESISTANCE: <1 OHM

TYPICAL CAPACITANCE: <2 pF ALL MODES

MAX SURGE:

20kA 8/20µS (IEC 6100-4-5), L-L, L-G

1000A 10/1000µS (BELLCORE 1089) L-L, L-G

DC HOLDOVER VOLTAGE: 80V

HUMIDITY: 0 TO 100% CONDENSING

TEMPERATURE: -40°C TO +85°C

STORAGE/OPERATING

APPLICATION INDOOR, RJ45, STP

RoHS COMPLIANT

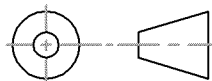
UL 497B LISTED

ALL DIMENSIONS IN INCHES UNLESS OTHERWISE SPECIFIED.

TOLERANCES:  
FRACTIONS = ±  
ANGLES = ± °  
XX = ±  
XXX = ±

MATERIAL:

THIRD-ANGLE PROJECTION



DRAWN	JDW	DATE	4/21/09
CHECKED	HMB		5/1/09
ENG APPD	SEH		5/5/09
PROJ APPD	JDW		5/6/09
PROJECT NO.	DD41605		

NOTICE: THE INFORMATION AND DESIGN IN THIS DOCUMENT IS THE PROPERTY OF TRANSTECTOR SYSTEMS. ALL RIGHTS RESERVED.



©2009 Transtector Systems, Inc. All rights reserved.

10701 Airport Drive, Hayden, ID 83835, USA  
+1.208.772.8515 FAX +1.208.762.6034  
800.882.9110 www.transtector.com

TITLE			
SPECIFICATION TSJ GIG-E POE SHIELDED JACKS			

SIZE	CAGE	DRAWING NUMBER	REV
A	30992	1400-674	B

SCALE= NA	SHEET 1 of 1
-----------	--------------