

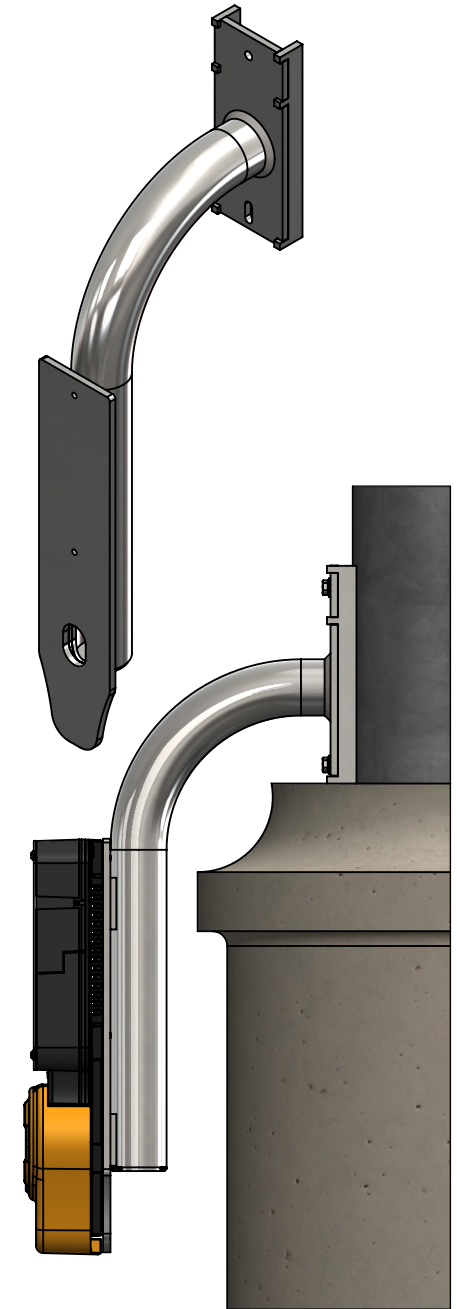
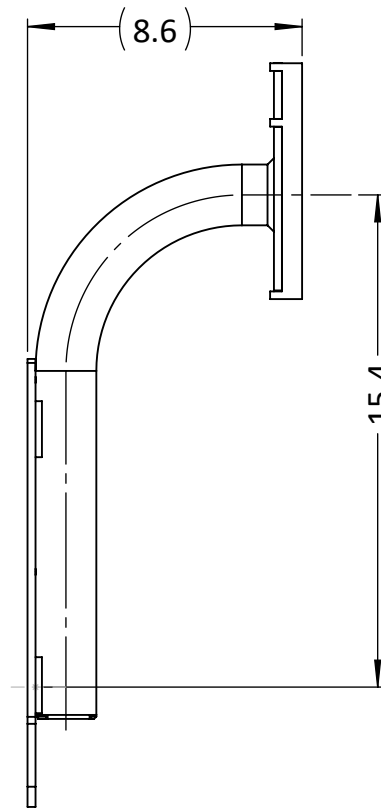
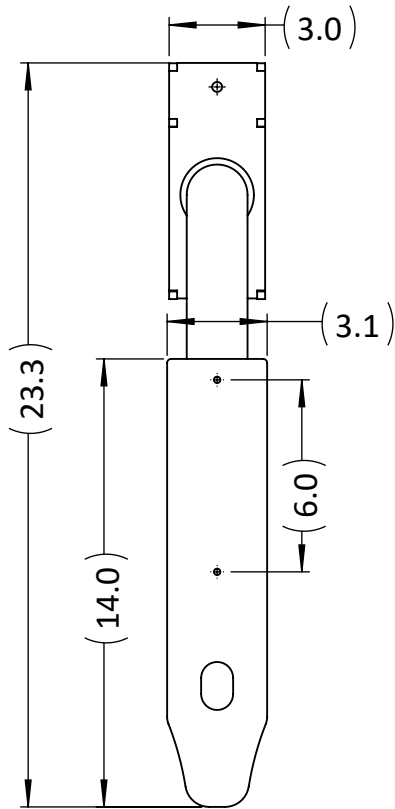


## iNS-EXTHTRED: Extender for Height Reduction

The MUTCD specifies a maximum push button height of 48" with no minimum specified. The recommended height is typically 42" above ground/standing grade, but it can be lower. Sometimes access ports on poles, or large decorative bases on poles, make mounting a push button within this height limit challenging.

This extender is designed for these instances and allows an "iN" or "iNS" Navigator PBS, PBF2, or PBF2C to extend out from the pole approximately 9" and reduce/adjust the button height by up to 15".

This extender can be fastened to the pole by either banding (up to 1" wide) or bolted using the two ¼-20 mounting bolts supplied with each extender. It is constructed from welded steel, with a hot dipped galvanize coating.



Dimensions are in inches.