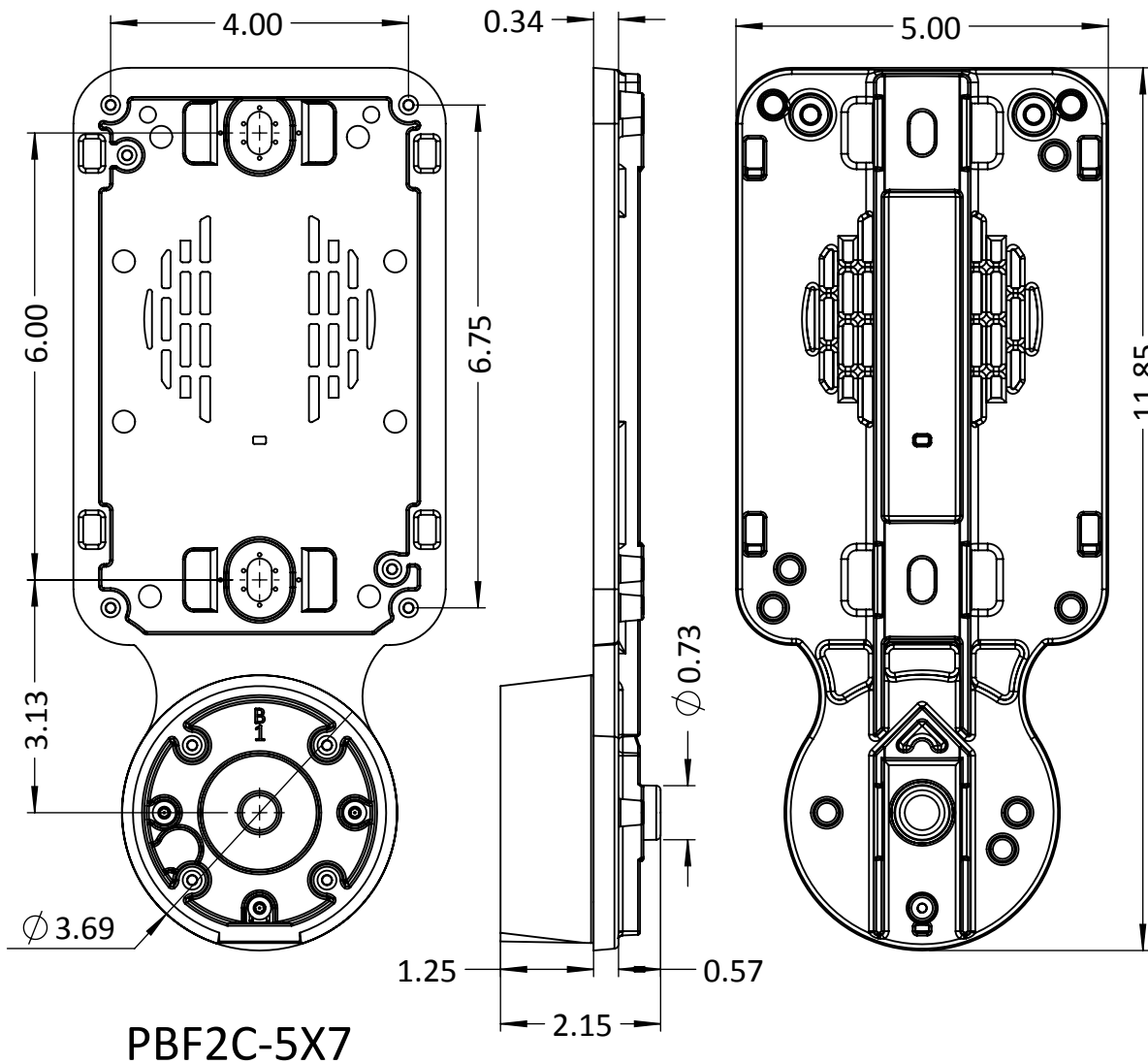


PBF2C: Push Button Frame 2 With Button Cup



Dimensions are in inches.

The PBF2C is a frame and cup designed to mount a Polara Bulldog (BDL) push button and protect the wires and terminal block. Any of Polara's signs can be mounted on the PBF2C, and 9X12, **9X15**, and 9X18 signs can be mounted with the addition of a Polara PBFA backplate. The frame can be mounted with 3/4" or smaller banding or with 1/4-20 fasteners, which are included.

Polara's PBF2C can be mounted on any diameter pole as well as on a flat surface. The cast aluminum structure and powdercoated finish provides a strong, attractive mount while the deep cup and stem shields the BDL wires and terminal block from the environment. The cup and frame are made from powdercoated cast aluminum and are available in the standard colors of green, black, and yellow.

Product Ordering Information

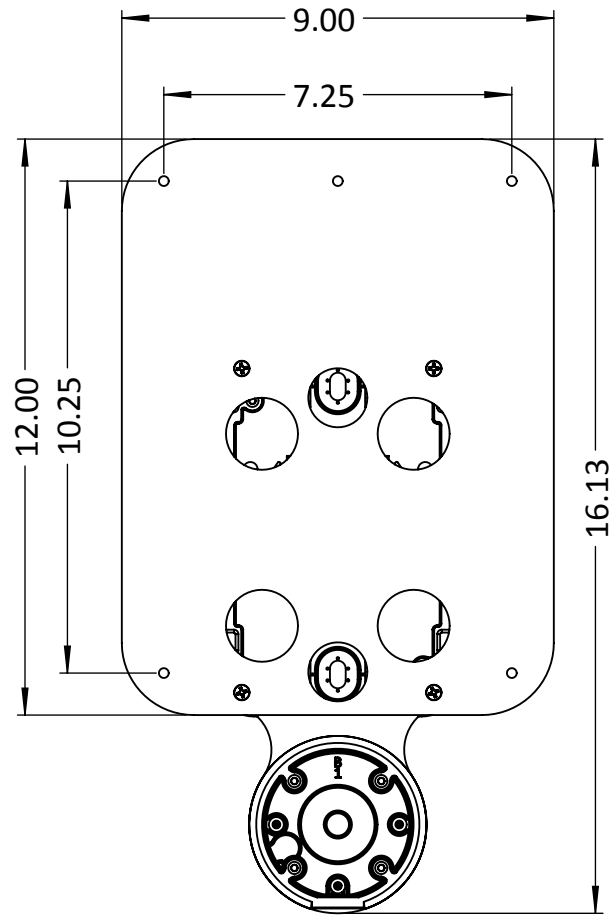
PBF2C- X - X

Backplate Size
(inches)

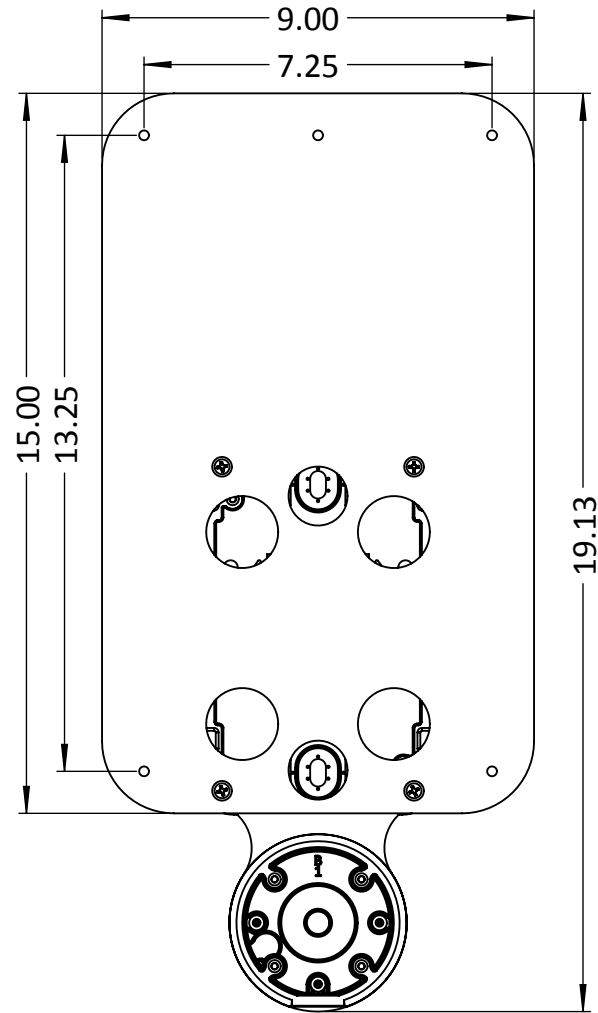
5X7
9X12
9X15
9X18

Color

B - Black
G - Green
Y - Yellow



PBF2C-9X12



PBF2C-9X15

Dimensions are in inches.