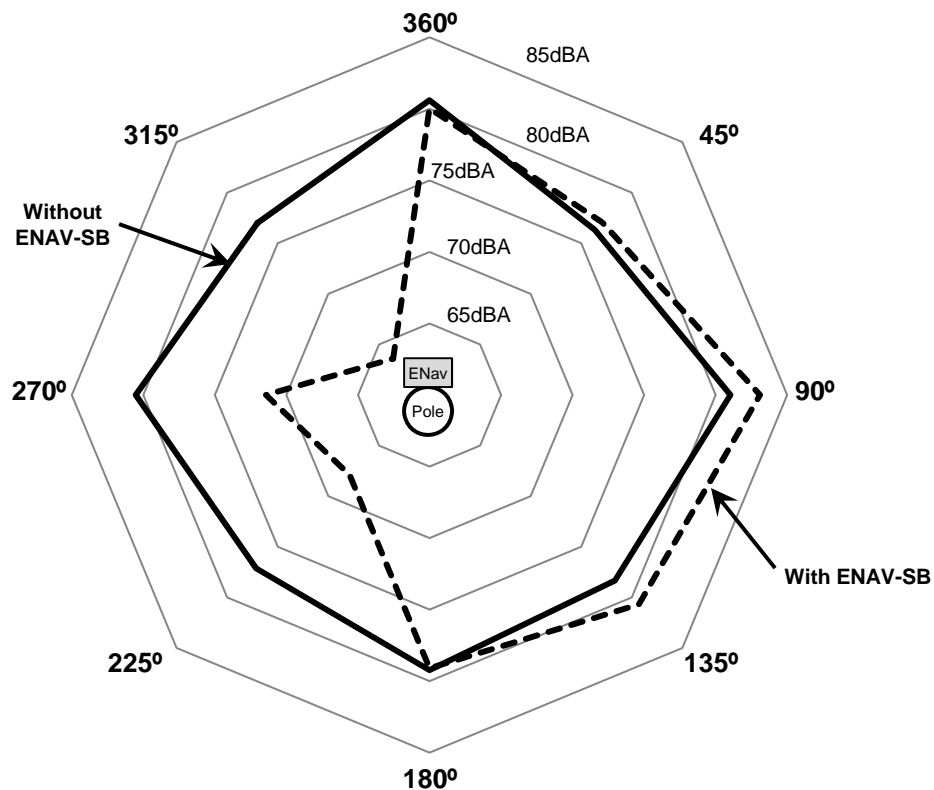


## ENAV-SB – EZ Communicator Sound Baffle



### Comparison of audio levels with and without the ENAV-SB Sound Baffle

**Test Conditions:**

- 1) View is looking down towards the ground with the ENAV facing the 360° direction.
- 2) Scale is 5dBA per ring, starting with 60dBA at the center.
- 3) Nominal volume levels were used.

ENAV-SB EZ Communicator Sound Baffle is a small external plastic part used to re-direct the sound from the EZ Communicator resulting in a 10dBA difference between the right side and left side of the unit. It is effective in situations to reduce the sound to the building line while not reducing the sound to the pedestrians in the cross walk.

Installation is easy, the ENAV-SB simply snaps into the speaker grill.

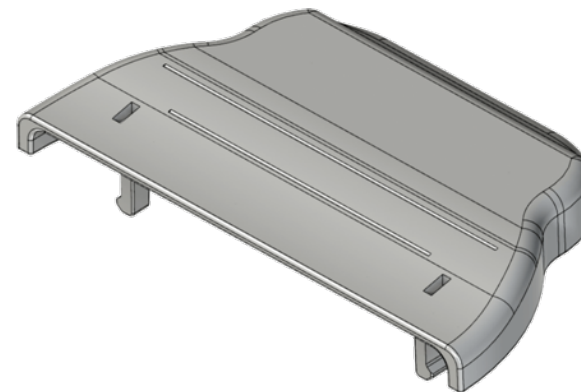
Body Material: Injection Molded ABS with UV Protection

Color: Black

Weight: 0.4 oz (12 grams) typical

### Product Ordering Information

ENAV-SB EZ Communicator Sound Baffle



**Notes:**

1. All specifications subject to change without notice.
2. Dimensions are in inches (millimeters).