

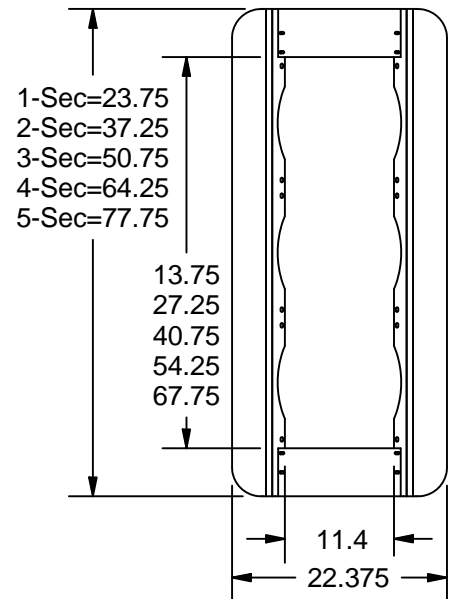
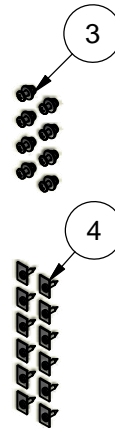
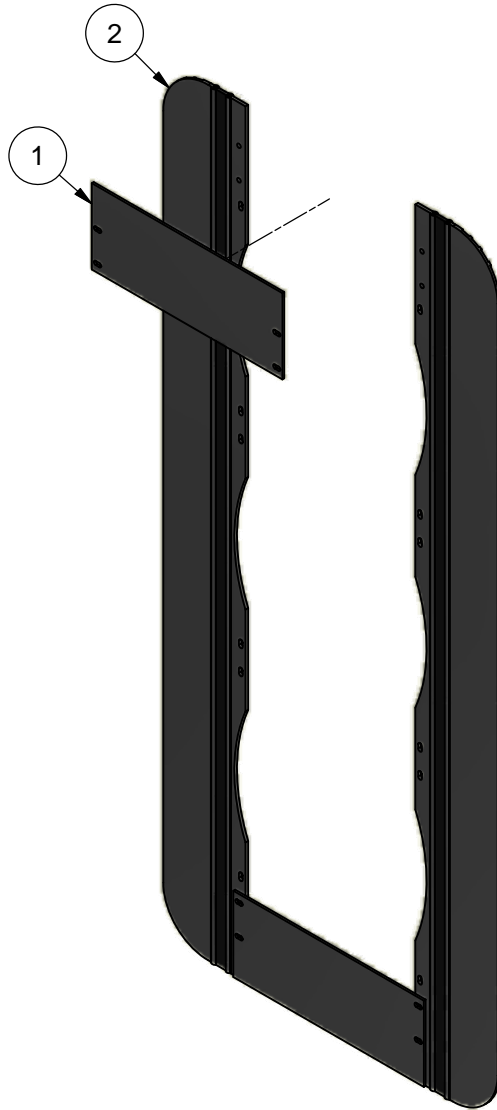
REF:

TITLE:
Backplate, AeroFlex, Straight, Eagle SG, Dual Durometer PVC

PART NO.:
BK-8100-EagleSG

PART NO
BK-8100-3-EagleSG-RT2-PNC

Signal Section
 Signal Manufacturer
 Reflective Border
 Process No Color



OPTIONS
Reflective Borders:
Blank = No Tape
RT2 = 2" Reflective Tape
RT3 = 3" Reflective Tape

OPTIONS
12" Signal Section
1=1-Section
2=2-Section
3=3-Section
4=4-Section
5=5-Section

ITEM	PART NUMBER	DESCRIPTION	QTY
1	BK-0211-12.75	Backplate End, Rigid, Universal AeroFlex, 12-3/4", PVC	2
2	BK-0212-X-EagleSG	Backplate Side, Flexible, X-Sec AeroFlex, Eagle SG, PVC	2
3	BK-0121-SS	Hardware Kit, AeroFlex Backplate, 1/4"-20, Stainless	1
4	BK-0120-X-SS	Hardware Kit, AeroFlex X-Sec Backplate, #10, Set of 12, Stainless	1

Pelco Assy.dwg 8/17/17