

SPECIFICATIONS

- COMPLIES WITH EUSERC STANDARDS
- NEMA 3R CONSTRUCTION
- FABRICATED FROM CORROSION-RESISTANT .125 THK ALUMINUM
- FACTOR V WIRING 800 VOLT RATED COPPER
- ALL EXTERIOR HINGES CONTINUOUS PLANO TYPE
- ALL COMPONENTS ARE U.L. LISTED.

PAGE 1 OF 2

THIS INFORMATION IS PROPERTY TO PACIFIC UTILITY PRODUCTS, INC. AND IS NOT DISCLOSED OUTSIDE OF PACIFIC UTILITY PRODUCTS, INC. WITHOUT A CONFIDENTIALITY AGREEMENT.

COMPONENT DIRECTORY

No.	CAT. NO.	DESCRIPTION
1	120/240 VAC 1 PH 3W 100 AMP	MTR SKT SJ 200A W/HORN BY-PASS
2	(1) LOAD CENTER 12-CKT 125A 1-PH	(1) C/B 30A 1P 10KAC 120/240VAC
3	(1) C/B 30A 1P 10KAC 120/240VAC	COBBIN/PELCO LOCK TAPERED LATCH
4	INSULATED NEUTRAL	
5	GROUND	
6		

SERVICE PEDESTAL

S.O.	QTY.
DATE	18 JANUARY, 2012
JOB NAME	-
DISTRIBUTOR	POWER EQUIP SALES

USP NON-RESIDENTIAL SERVICE PEDESTAL
0 - 200 AMPERES
0 - 600 VOLTS

PACIFIC UTILITY PRODUCTS
2430 RAILROAD ST.
CORONA CALIFORNIA 92880

INDUSTRIAL CONTROL-

SUITABLE ONLY FOR USE AS SERVICE EQUIPMENT
 BONDED NEUTRAL REMOVE BONDING MEANS FOR TEST PURPOSES ONLY

QTY. = 1

CAT. NO. USP2R-100-112C-OPK-TS-AL 120/240VAC 1PH 60HZ 3W 100 AMP

SHORT CIRCUIT RATING: 10,000 RMS SYMMETRICAL AMPS @ 240 VAC MAX.
 HOWEVER, THIS SHORT CIRCUIT RATING IS LIMITED TO THE LOWEST INTERRUPTING
 CAPACITY ON ANY DEVICE INSTALLED.

*CIRCUIT BREAKERS 100 AMPS OR LESS: CUTLER-HAMMER BR. BQ, GFCA,
 REPLACEMENT BREAKER(S) MUST BE SAME TYPE AND RATING.

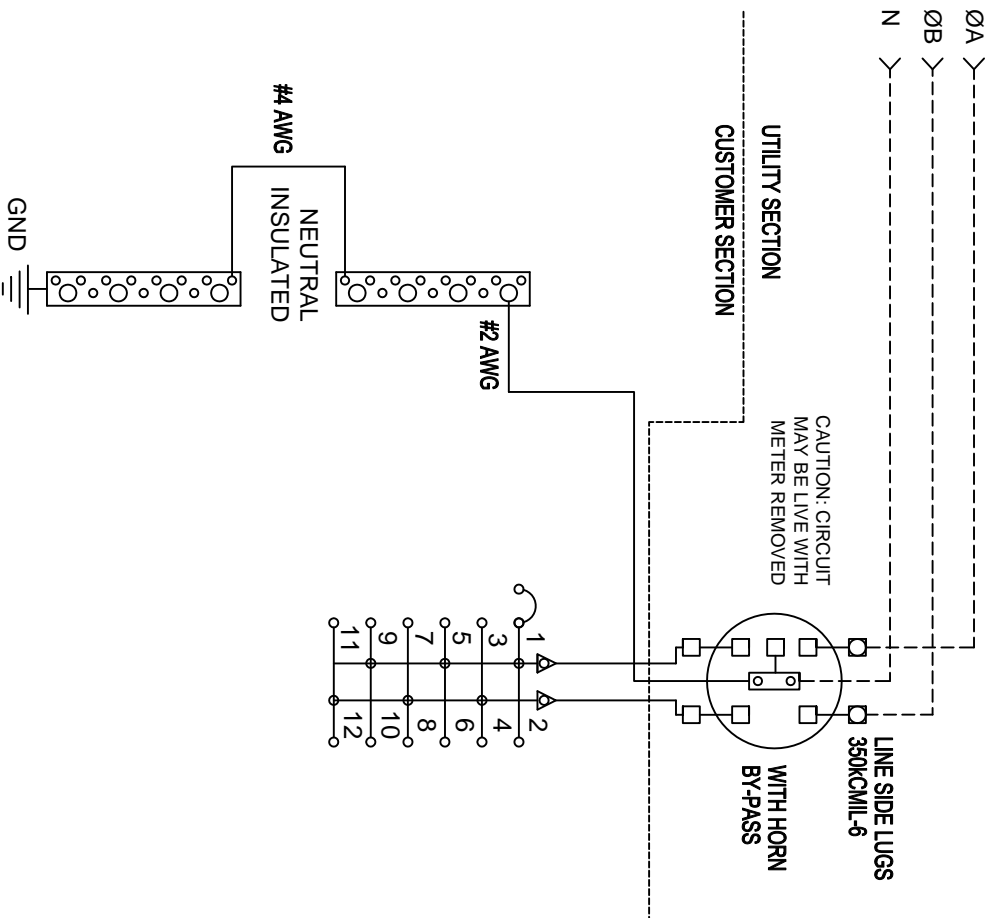
*AUTOMATIC TRIP IS INDICATED BY HANDLE POSITION MIDWAY BETWEEN
 (ON) AND (OFF). TO RESTORE POWER MOVE HANDLE TO (OFF), THEN (ON).

*METER SOCKET: DURHAM, 200 AMPS CONTINUOUS.

*LOAD CENTER IS SUITABLE FOR USE WITH 60/75 DEGREE C COPPER OR
 ALUMINUM WIRE.

*LOAD CENTER IS LIMITED TO A MAXIMUM OF 12 INSTALLED CIRCUITS THAT
 UTILIZE A NEUTRAL CONNECTION, EITHER SINGLE POLE, MULTIPLE POLE, OR
 A COMBINATION OF EACH.

*SHIPPING TENDS TO LOOSEN ELECTRICAL CONNECTIONS - TIGHTEN ALL
 CONNECTIONS BEFORE ENERGIZING UNIT.



PAGE 2 OF 2

WIRING DIAGRAM

NO.	AMP.	POLE	DESCRIPTION
1	30	1	SIGNAL

*** TORQUE INFORMATION

- 350MCM - 6 CU/AL 325 IN.LB.
- ▲ #14-1/0 CU/AL 50 IN.LB.
- *** NEUTRAL & EQUIPMENT GROUND-SINGLE CONDUCTOR
- #14-1/0 CU/AL #3-1/0 50 IN.LB.
- #14-1/0 CU/AL #6-4 45 IN.LB.
- #14-6 CU/AL #8 40 IN.LB.
- #14-10 CU/AL #8 25 IN.LB.
- #14-10 CU/AL #6 35 IN.LB.
- #14-10 CU/AL #8 25 IN.LB.
- #14-10 CU/AL #14-10 20 IN.LB.

○ #14-6

CU/AL #8

*** EQUIPMENT GROUND-MULTIPLE CONDUCTOR

- (2 OR 3) #10, 12, 14 CU/AL 45 IN.LB.
- (2) #12, 14 CU/AL 20 IN.LB.

*** FIELD INSTALLED DEVICES--TORQUE TO VALUES
 INDICATED ON OR WITH DEVICE