

# PCA243624-00030

## POLYMER CONCRETE ASSEMBLY

24" X 36" X 24"  
(For actual dimensions see drawing)

Polymer Concrete Assembly, Straight Sides, No Floor, WUC 3.6, ANSI/SCTE 77-"T15/20K," 3/8" Hex Bolts, Standard Nameplate (TRAFFIC SIGNAL) Installed

### LOAD RATINGS

Incidental Traffic - Parking Lot, Sidewalk  
Conforms to:

- WUC 3.6
- ASTM C 857
- ANSI/SCTE 77

### FEATURES:

- UL Classified Polymer Concrete
- Drop-in nameplate
- Shipped assembled
- Skid resistant cover
- Stainless steel bolts
- Cast-in floating nut box  
- Integral drain holes

**Additional product information  
continued on the reverse**

**newbasis**  
Composites for Infrastructure

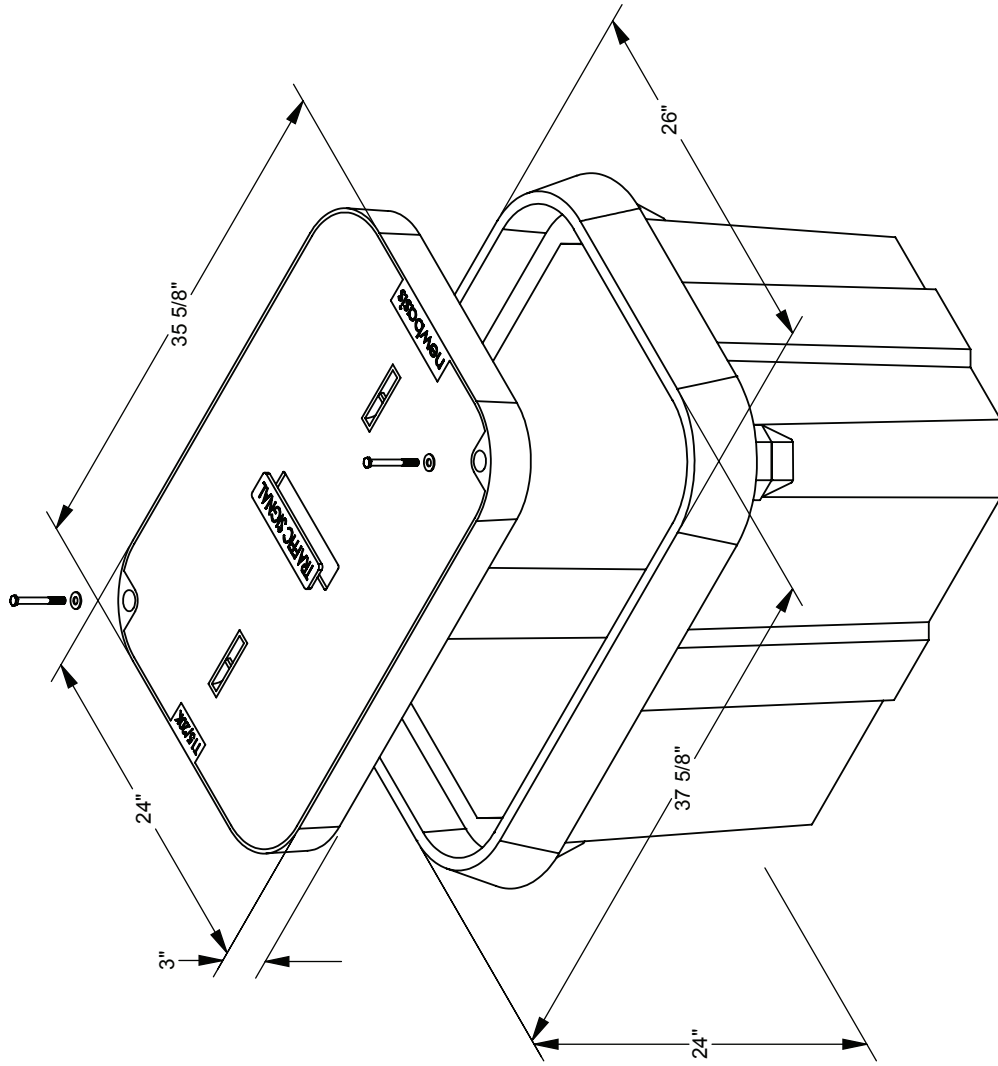
2626 Kansas Avenue  
Riverside, California 92507

951.787.0600

951.787.0632 (fax)

info@newbasis.com

newbasis.com



Inside Dimensions		
Length	Width	Depth
33"	20 7/8"	21"
29 3/4"	17 3/4"	

Rev: A.2

# PCA243624-00030

## POLYMER CONCRETE ASSEMBLY



Polymer Concrete Assembly, Straight Sides, No Floor, WUC 3.6, ANSI/SCTE 77- "T15/20K, " 3/8" Hex Bolts, Standard Nameplate (TRAFFIC SIGNAL) Installed

**24" X 36" X 24"** For actual dimensions, see drawing on front side.

### AVAILABLE OPTIONS

- Penta Bolts
- Telephone EMS
- Power EMS
- Custom Nameplate Installed
- Custom Nameplate Shipped Separately
- Standard Nameplate Installed
- Standard Nameplate Shipped Separately

### NAMEPLATES

One standard nameplate included with each assembly, installed at the factory or easily installed in the field. Custom nameplates are available. Contact customer service.

#### Standard Nameplates

- Electric
- Telephone
- Fiber Optic
- Water
- Street Lighting
- Broadband
- Traffic
- CATV
- Traffic Signal
- Communications

- Indicates a selected option

### MATERIAL PROPERTIES AND ATTRIBUTES

**Compressive Strength**  
Polymer Concrete - **87 MPa**  
Per ASTM D695

**Flexural Strength**  
Polymer Concrete - **20 MPa**  
Per ASTM D790

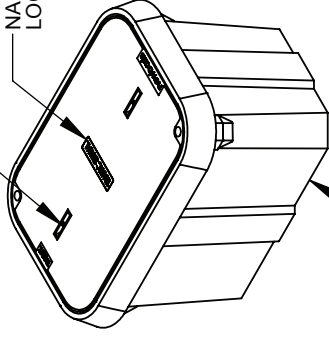
**Coefficient of Friction (Dry)**  
**1.085**  
Per ASTM C1028

- Polymer Concrete
- Advanced composite: Very high strength to weight ratio
  - Non-metallic
  - Non-conductive
  - UV Resistant
  - High impact resistant
  - Impervious to chemicals and moisture

Materials tested in accordance with ASTM D-543 and ASTM D-570

LIFT PIN FOR HAND HOLE COVER HOOK (NEWBASIS P/N:0701 OR EQUIVALENT)

NAMEPLATE LOCATION



OPEN BOTTOM

Rev: A.2

### WEIGHTS AND SHIPPING

COVER WEIGHT: 118 lbs.

BOX WEIGHT: 230 lbs.

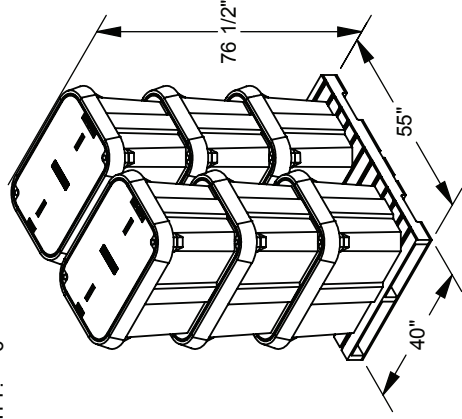
ASSEMBLY WEIGHT: 348 lbs.

LOADED PALLET WEIGHT: 2148 lbs.

Standard shipping includes van delivery of pallet quantities to the lower 48 states. Partial pallet quantities and flat bed shipping available at an additional cost.

### PACKAGING (Steel Banding, Edge Protection)

PALLET QUANTITY: 6



# PCB243624-00000

## POLYMER CONCRETE BOX

24" X 36" X 24"  
(FOR ACTUAL DIMENSIONS, SEE DRAWING)

Polymer Concrete Box, Straight,  
WUC 3.6, ANSI/SCTE 77-Tier 15

### AVAILABLE OPTIONS

- Penta head bolt kit
- Hex head bolt kit

### MATERIAL PROPERTIES AND ATTRIBUTES

**Compressive Strength**  
Polymer Concrete - 87 MPa  
FRP - 134 MPa  
Per ASTM D695

**Flexural Strength**  
Polymer Concrete - 20 MPa  
FRP - 116 MPa  
(Flex Modulus) Per ASTM D790

Box Weight: 233 lbs.

**newbasis**  
Composites for Infrastructure

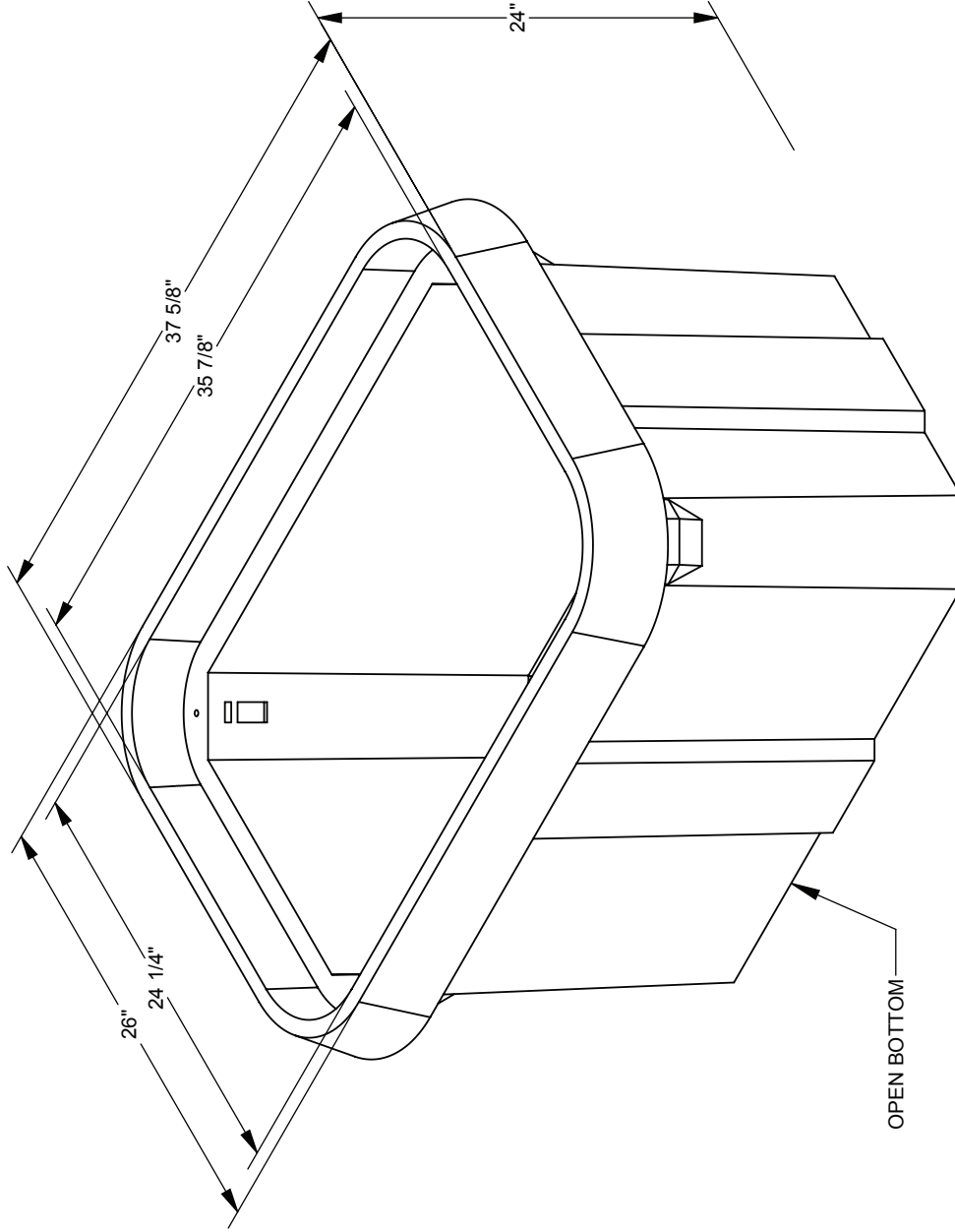
2626 Kansas Avenue  
Riverside, California 92507

951.787.0600

951.787.0632 (fax)

info@newbasis.com

newbasis.com



REV: A.1

# PCC2436P1-00030

## POLYMER CONCRETE COVER

24" X 36" X 3"  
(FOR ACTUAL DIMENSIONS, SEE DRAWING)

Polymer Concrete Cover, WUC 3.6, ANSI/SCTE 77-"T15/20K," Standard Nameplate (TRAFFIC SIGNAL) Installed

### AVAILABLE OPTIONS

- Penta head bolt kit
- Hex head bolt kit
- Standard nameplate
- Custom nameplate
- Power EMS
- Telephone EMS

### MATERIAL PROPERTIES AND ATTRIBUTES

**Compressive Strength**  
Polymer Concrete - 87 MPa  
Per ASTM D695

**Flexural Strength**  
Polymer Concrete - 20 MPa  
(Flex Modulus) Per ASTM D790

**Coefficient of Friction (Dry)**  
1.085 Per ASTM C-1028

Cover Weight: 124 lbs.

**newbasis**  
Composites for Infrastructure

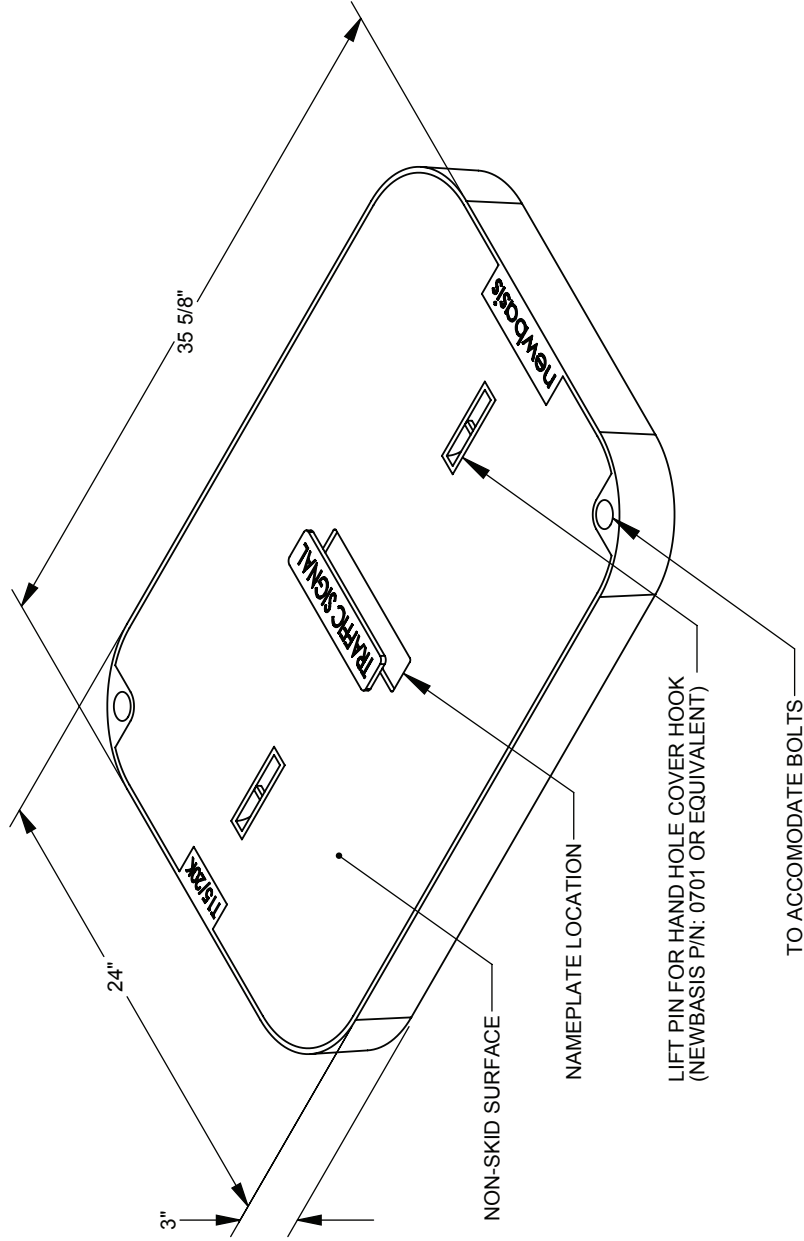
2626 Kansas Avenue  
Riverside, California 92507

951.787.0600

951.787.0632 (fax)

info@newbasis.com

newbasis.com



REV: A.0