

PCA121212-00030

POLYMER CONCRETE ASSEMBLY

12" X 12" X 12"

(For actual dimensions see drawing)

Polymer Concrete Assembly, Straight Sides, No Floor, WUC 3.6, ANSI/SCTE 77- "T15/20K," 3/8" Hex Bolts, Standard Nameplate (TRAFFIC SIGNAL) Installed

LOAD RATINGS

Incidental Traffic - Parking Lot, Sidewalk
Conforms to:

- WUC 3.6
- ASTM C 857
- ANSI/SCTE 77

FEATURES:

- UL classified polymer concrete
- Drop-in nameplate
- Shipped assembled
- Skid resistant cover
- Stainless steel bolts
- Cast-in floating nut box
- Integral drain holes

**Additional product information
continued on the reverse**

newbasis
Composites for Infrastructure

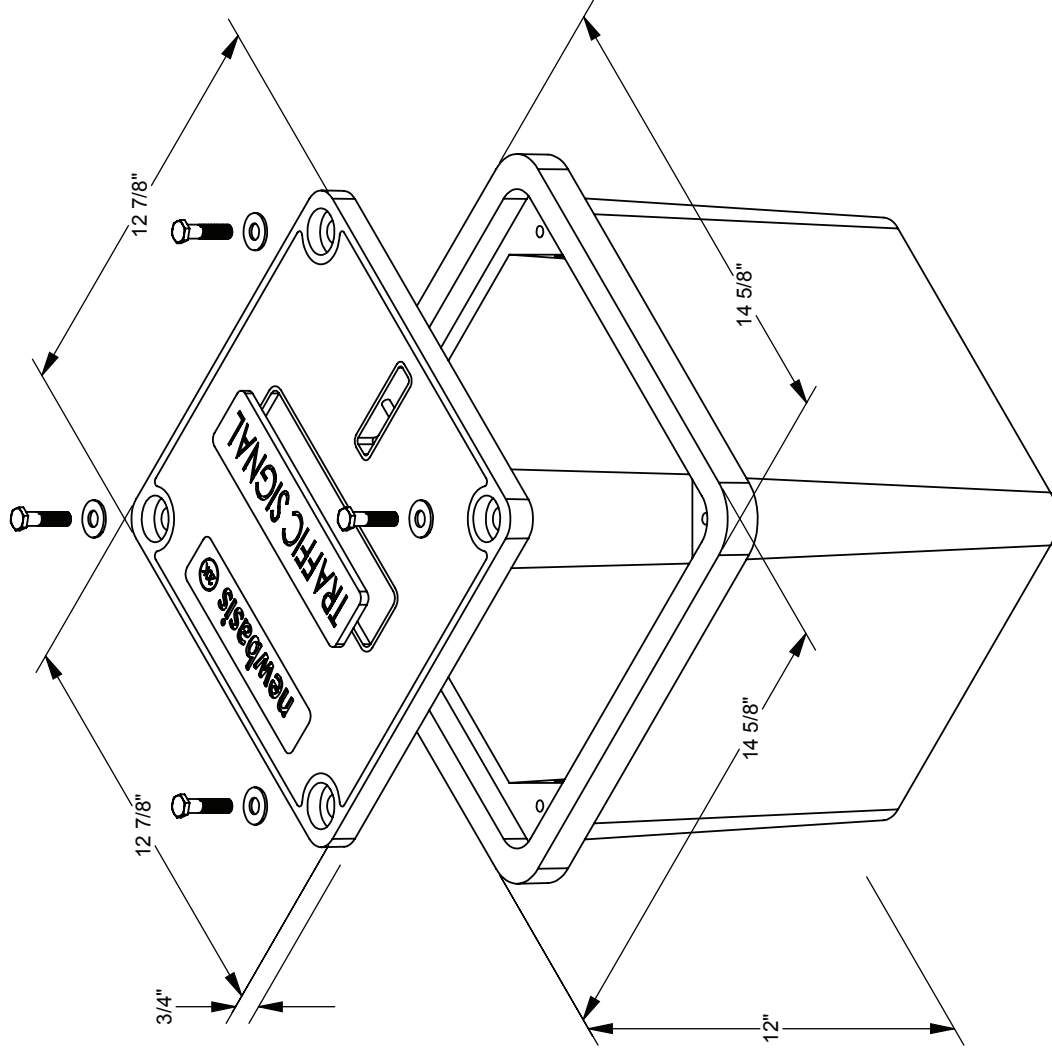
2626 Kansas Avenue
Riverside, California 92507

951.787.0600

951.787.0632 (fax)

info@newbasis.com

newbasis.com



Inside Dimensions		
Length	Width	Depth
12"	12"	10 3/4"
10"	10"	

Rev: A.0

PCA121212-00030

POLYMER CONCRETE ASSEMBLY



Polymer Concrete Assembly, Straight Sides, No Floor, WUC 3.6, ANSI/SCTE 77- "T15/20K, " 3/8" Hex Bolts, Standard Nameplate (TRAFFIC SIGNAL) Installed

12" X 12" X 12" For actual dimensions, see drawing on front side.

AVAILABLE OPTIONS

- Penta Bolts
- Telephone EMS
- Power EMS
- Custom Nameplate Installed
- Custom Nameplate Shipped Separately
- Standard Nameplate Installed
- Standard Nameplate Shipped Separately

NAMEPLATES

One standard nameplate included with each assembly, installed at the factory or easily installed in the field. Custom nameplates are available. Contact customer service.

Standard Nameplates

- Electric
- Telephone
- Fiber Optic
- Water
- Street Lighting
- Broadband
- Traffic
- CATV
- Traffic Signal
- Communications

- Indicates a selected option

MATERIAL PROPERTIES AND ATTRIBUTES

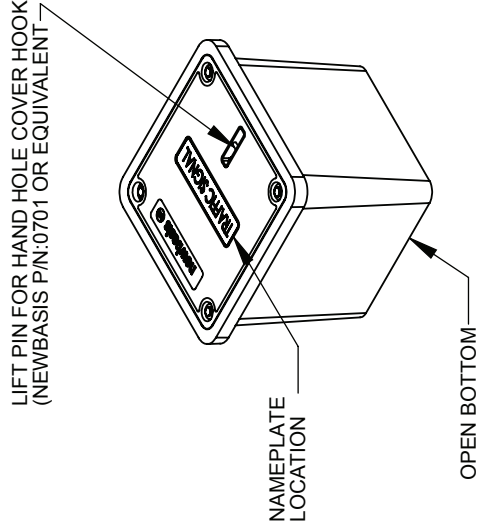
Compressive Strength
Polymer Concrete - **87 MPa**
Per ASTM D695

Flexural Strength
Polymer Concrete - **20 MPa**
Per ASTM D790

Coefficient of Friction (Dry)
1.085
Per ASTM C1028

- Polymer Concrete
- Advanced composite: Very high strength to weight ratio
 - Non-metallic
 - Non-conductive
 - UV Resistant
 - High impact resistant
 - Impervious to chemicals and moisture

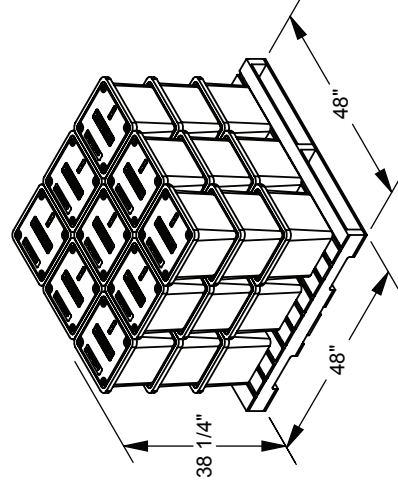
Materials tested in accordance with ASTM D-543 and ASTM D-570



Rev: A.0

PACKAGING (Steel Banding, Edge Protection)

PALLET QUANTITY: 27



WEIGHTS AND SHIPPING

COVER WEIGHT: 11 lbs.

BOX WEIGHT: 37 lbs.

ASSEMBLY WEIGHT: 48 lbs.

LOADED PALLET WEIGHT: 1356 lbs.

Standard shipping includes van delivery of pallet quantities to the lower 48 states. Partial pallet quantities and flat bed shipping available at an additional cost.

PCB121212-00000

POLYMER CONCRETE BOX

12" X 12" X 12"
(FOR ACTUAL DIMENSIONS, SEE DRAWING)

Polymer Concrete Box, Straight,
WUC 3.6, ANSI/SCTE 77-Tier 15

AVAILABLE OPTIONS

- Penta head bolt kit
- Hex head bolt kit

MATERIAL PROPERTIES AND ATTRIBUTES

Compressive Strength

Polymer Concrete - 87 MPa
FRP - 134 MPa
Per ASTM D695

Flexural Strength

Polymer Concrete - 20 MPa
FRP - 116 MPa
(Flex Modulus) Per ASTM D790

Box Weight: 42 lbs.

newbasis
Composites for Infrastructure

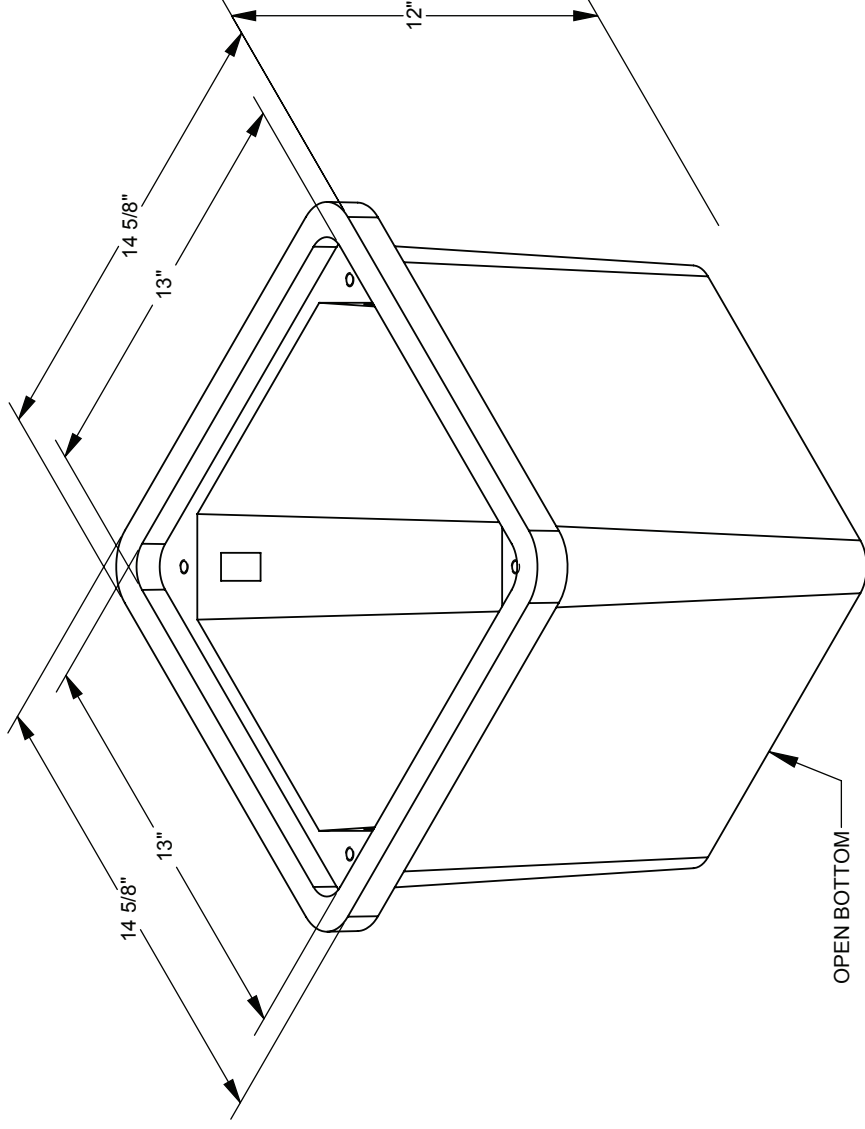
2626 Kansas Avenue
Riverside, California 92507

951.787.0600

951.787.0632 (fax)

info@newbasis.com

newbasis.com



PCC1212P1-90005

12" X 12" X 1"
(FOR ACTUAL DIMENSIONS, SEE DRAWING)

Polymer Concrete Cover, WUC 3.6,
ANSI/SCTE 77-"T 15/20K," Standard
Nameplate (TRAFFIC SIGNAL)
Installed

AVAILABLE OPTIONS

- Penta head bolt kit
- Hex head bolt kit
- Standard nameplate
- Custom nameplate
- Power EMS
- Telephone EMS

MATERIAL PROPERTIES AND ATTRIBUTES

Compressive Strength

Polymer Concrete - 87 MPa
Per ASTM D695

Flexural Strength

Polymer Concrete - 20 MPa
(Flex Modulus) Per ASTM D790

Coefficient of Friction (Dry)

1.085 Per ASTM C1028

Cover Weight: 13 lbs.

newbasis
Composites for Infrastructure

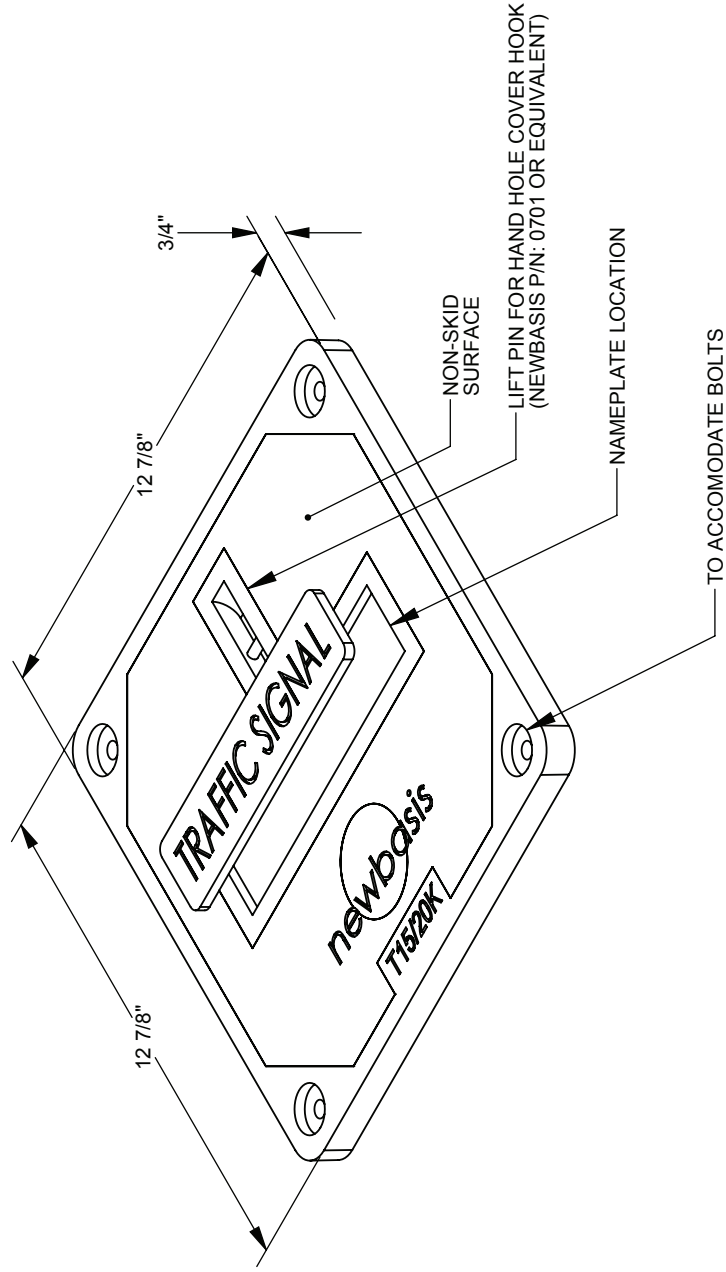
2626 Kansas Avenue
Riverside, California 92507

951.787.0600

951.787.0632 (fax)

info@newbasis.com

newbasis.com



REV: A.0