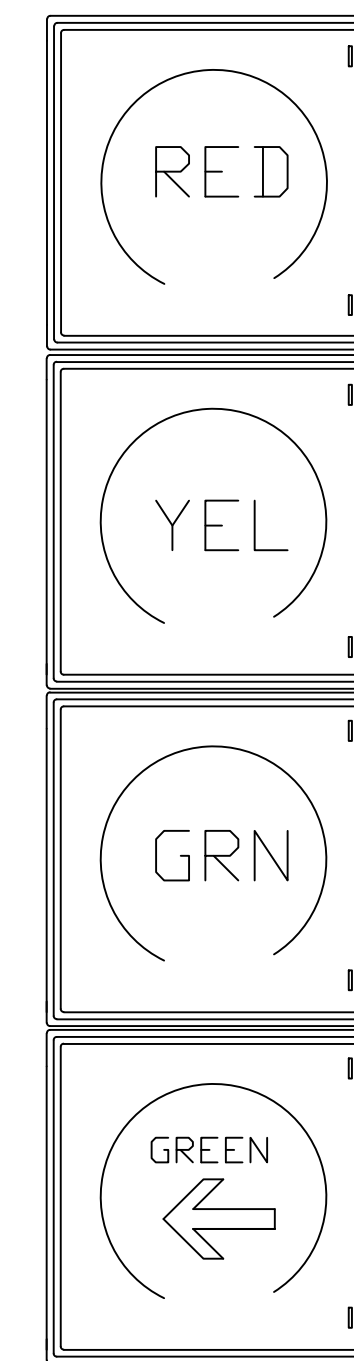
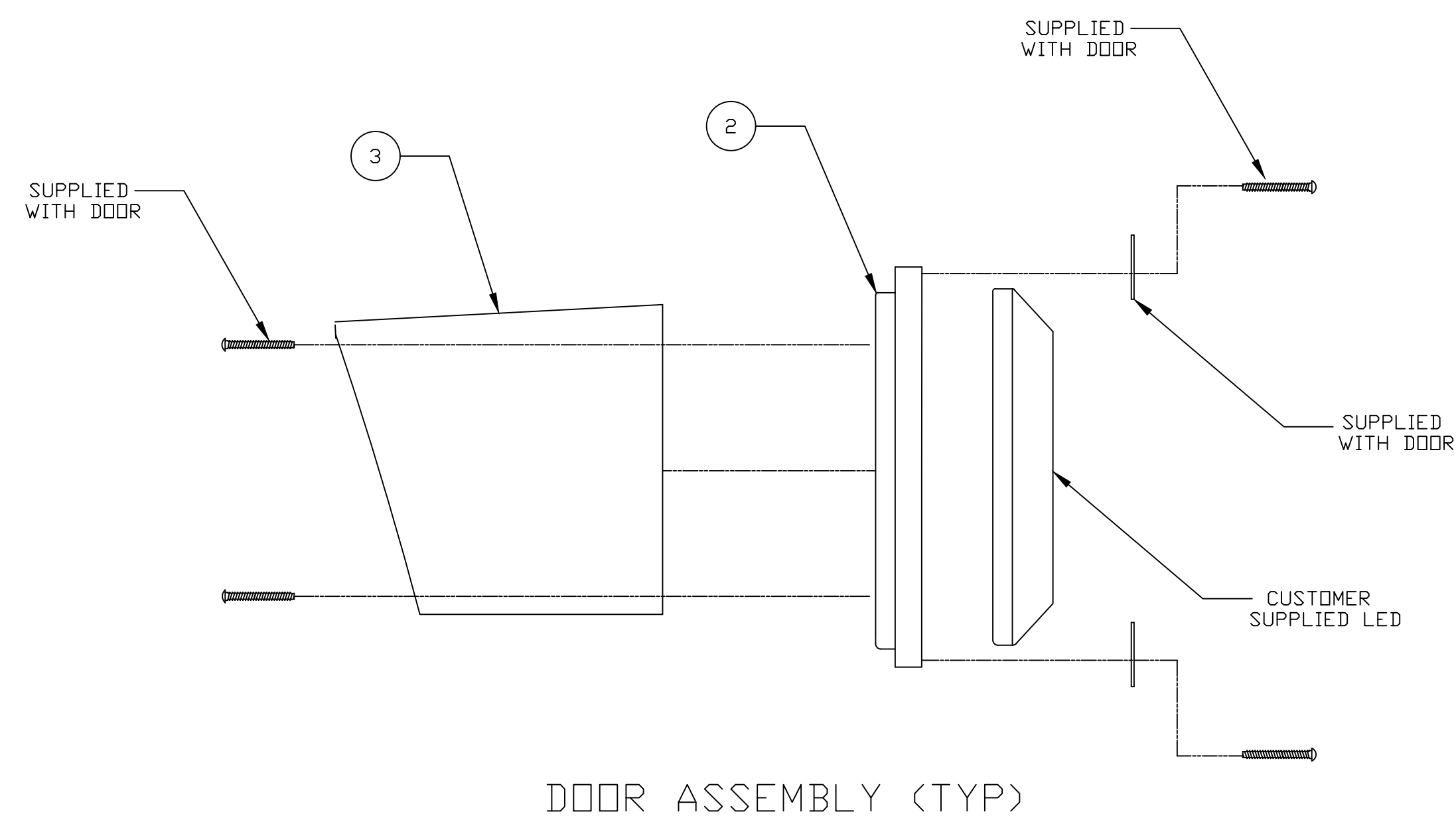
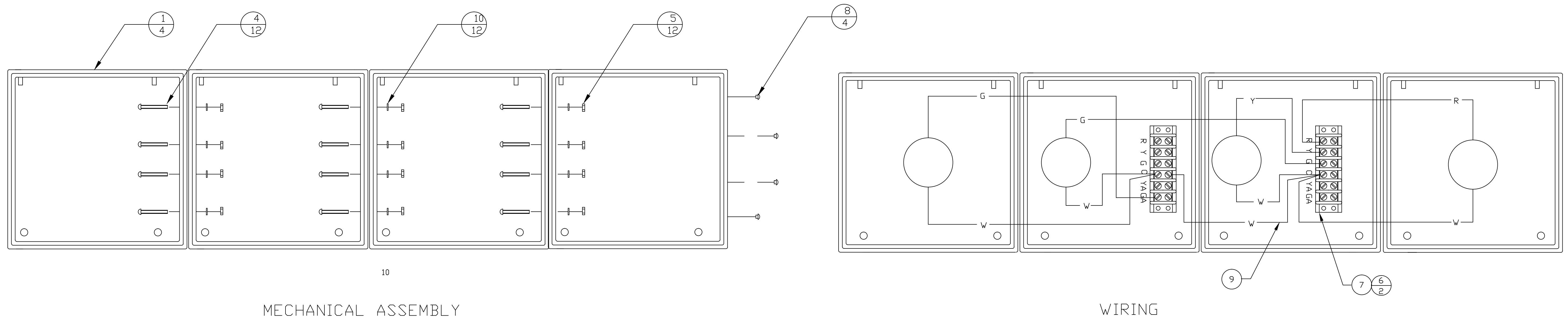


REV		ECN	REVISIONS		DRAFT	DATE	CHKD
1	20660	RELEASED	DESCRIPTION		RW	5/15	AZ



Yellow Body: SA104A1C11YBB40-37
Black Body: SA104A1C11BBB40-37

The information contained herein is the proprietary property of Brown Traffic Products, Inc., and is disclosed with the understanding it will be retained in confidence and will neither be duplicated nor copied in whole or part nor be used for any purpose other than that for which disclosed.

BROWN Traffic Products, Inc. MERGING INNOVATION, TECHNOLOGY & SERVICE		109 WEST 55TH STREET DAVENPORT, IA 52806 PHONE: (563) 323-0009	301 W. HOWARD LN., STE. 200 AUSTIN, TX 78753 PHONE: (512) 521-3060	WWW.BROWNTRAFFIC.COM
MATERIAL & FINISH SEE BOM	DES ENGR CHECKED BY DRAWN TOLERANCES UNLESS OTHERWISE SPECIFIED X.XXX = ±0.020 X.XXXX = ±0.010 ANGLES = ±1° HOLE Ø = ±0.005 UNITS = INCHES	RW 5/15 AZ 5/15 RW 5/15	DWG TITLE 4 SECTION POLY VEHICLE SIGNAL	REV 1
SIZE D			SHEET 1 OF 1	