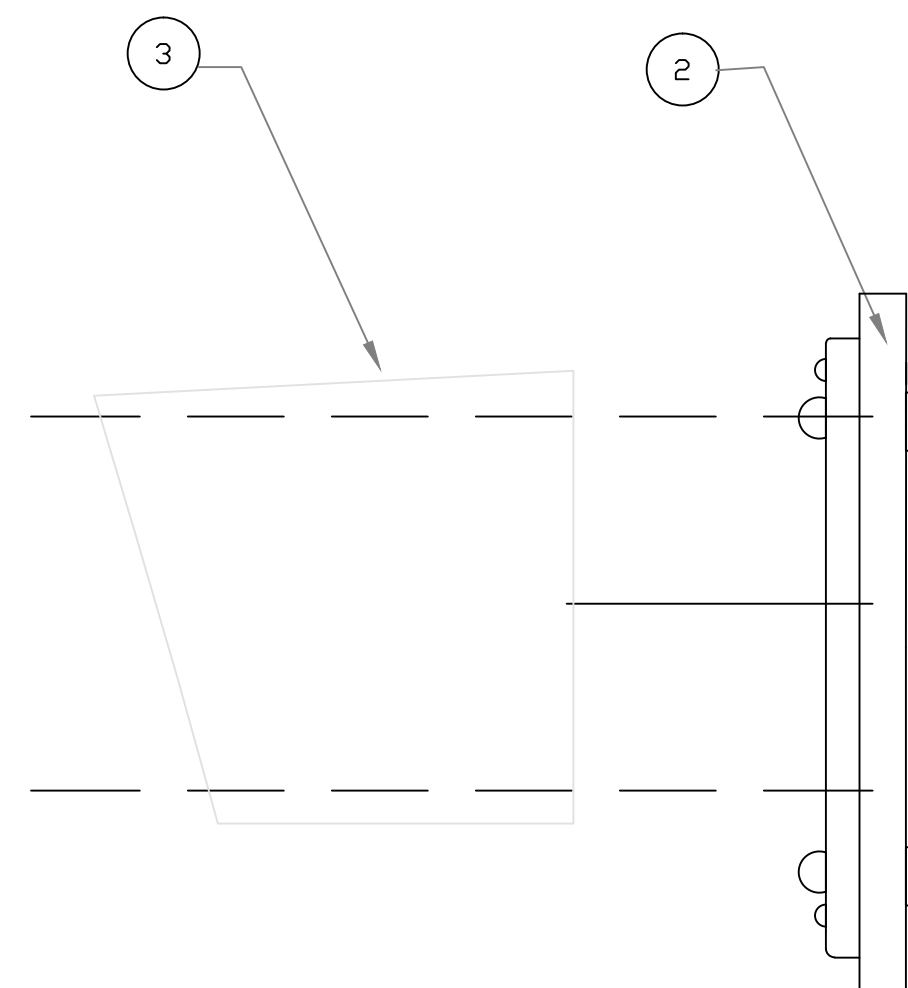
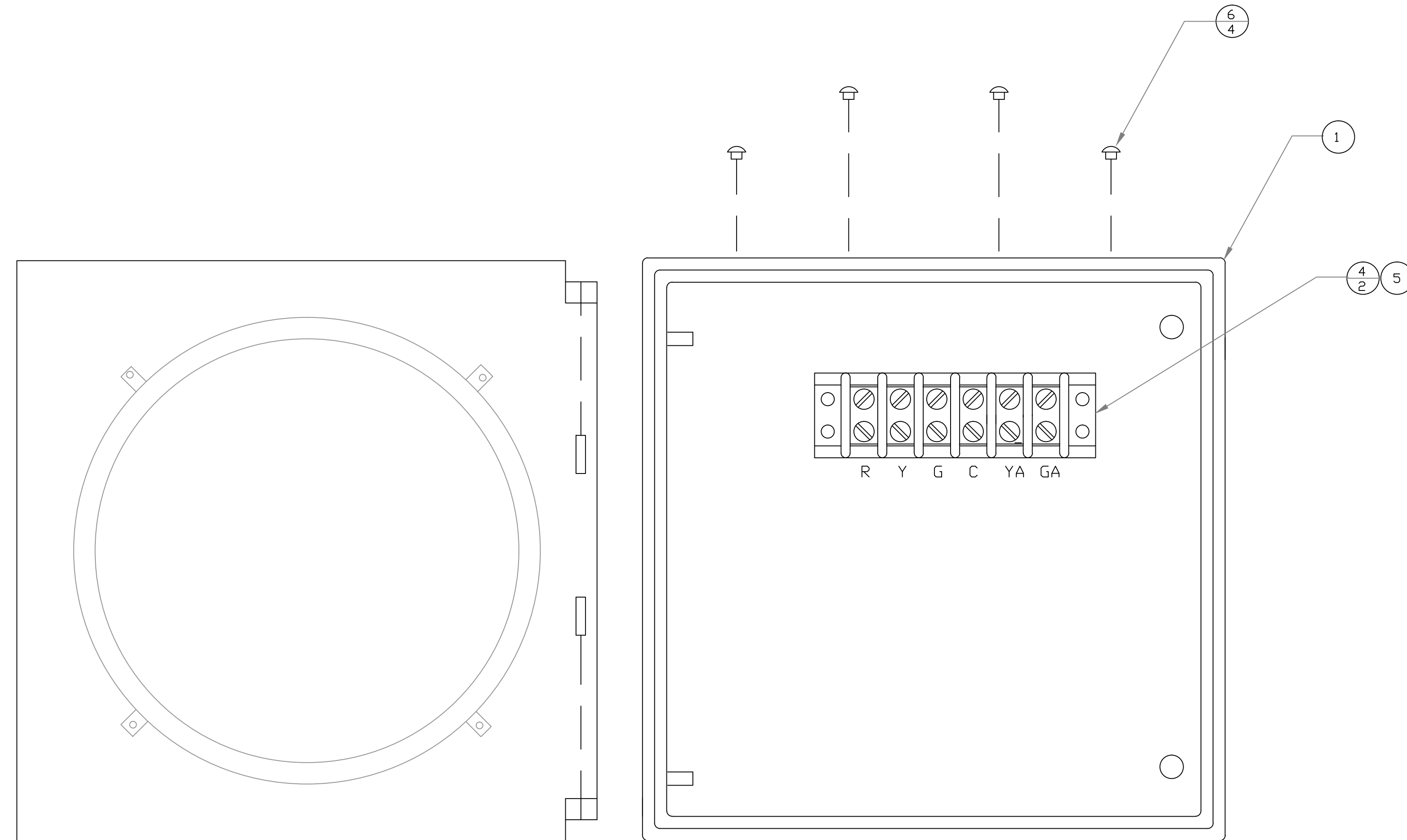


REV		ECN		REVISIONS			DRAFT	DATE	CHKD
				DESCRIPTION			LB	8/23	AZ
1	-	-	-	INITIAL RELEASE			-	-	-
-	-	-	-				-	-	-
-	-	-	-				-	-	-



DOOR ASSEMBLY

Yellow Body: SA101A1C11YBB10-37
 Black Body: SA101A1C11BBB10-37

The information contained herein is the proprietary property of MobaTrex, and is disclosed with the understanding it will be retained in confidence and will neither be duplicated nor copied in whole or part nor be used for any purpose other than that for which disclosed.

		109 WEST 55TH STREET DAVENPORT, IA 52806 PHONE: (563) 323-0009		15825 IMPACT WAY PFLUGERVILLE, TX 78660 PHONE: (512) 521-3060	
		WWW.MOBOTREX.COM			
MATERIAL & FINISH	DES ENGR LB 8/23	CHECKED BY AZ 8/23	DWG TITLE		
SEE BOM	DRAWN LB 8/23		VEH,1-S,12",POLY,TNLE		
BREAK ALL SHARP EDGES AND REMOVE ALL BURRS	TOLERANCES UNLESS OTHERWISE SPECIFIED X.XXX = ±0.020 X.XXX = ±0.010 ANGLES = ±1° HOLE Ø = ±0.005 UNITS = INCHES		SIZE D	SHEET 1 OF 1	
					REV 1