

Pedestrian Signal Housing

12" Housing
16" Housing
Aluminum
Polycarbonate



16 inch housing
shown in Federal yellow



12 inch housing
shown in black

Cabinets
Controllers
Signals
Signs
Software
Specialty

Overview

McCain's Pedestrian Signal Housings are designed to be used in conjunction with standard or LED pedestrian signal modules to promote pedestrian safety at intersections. McCain housings exceed the Institute of Transportation Engineers (ITE) standards, offering a low maintenance and durable housing in either die cast aluminum or injection molded polycarbonate resin. They are available in 12" or 16" styles, and the 12" housings are available in 1-section or 2-section varieties. The 12" polycarbonate housings are reinforced with a 10 percent fiberglass fill for superior strength and durability unmatched by standard polycarbonate resins. The fiberglass fill is optional on the 16" polycarbonate housings.

Benefits

- 12" or 16" styles
- Rugged aluminum or polycarbonate construction
- Designed for standard symbol or word pedestrian signal modules including LED
- Door-hinge hardware can be removable and reversible or permanently attached
- Highly customizable including a variety of fabrication, mounting, and visor options
- 16" available with *Vantage Visor™* for increased visibility and impact protection

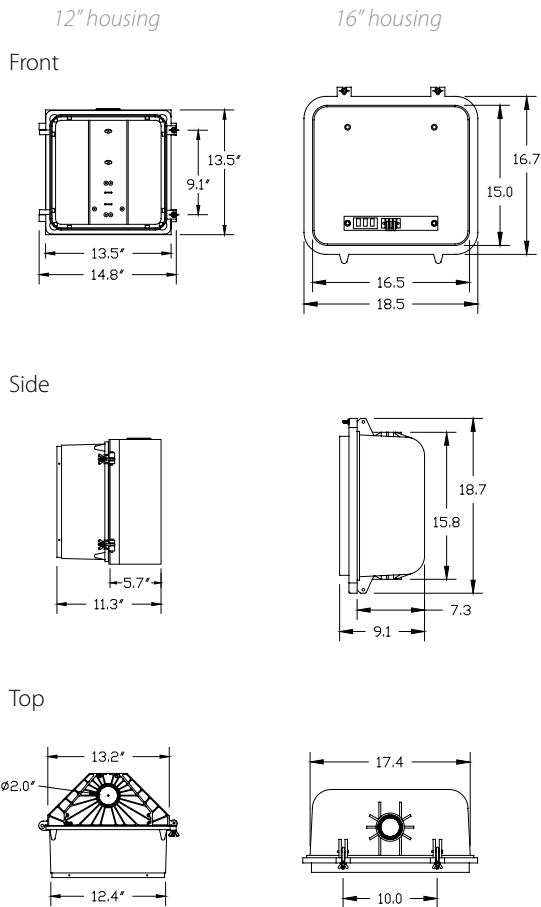
Product Description

The McCain Pedestrian Signal Housing is available in 12" and 16" styles and a variety of configurations including aluminum or polycarbonate construction, with a number of options (see Options for details).

The door is attached with stainless steel detent-type clevis or roll pins and eye bolt/wing nut assemblies. Two equally spaced mounting lugs, integrally cast into the top and bottom of the 16" and the sides of the 12", allow the doors to hinge from either direction. When clevis pins are used, the door and eye bolt assemblies can be removed and rotated without the use of any tools, facilitating maintenance.

All interior mounting locations on the 16" housing are symmetrically positioned, allowing the rotation of components when using the bi-directional McCain Clamshell Mount to mount to the right or left side.

Pedestrian Signal Housing



Dimensions rounded to the nearest 0.1"



12" 2-section with tunnel visors

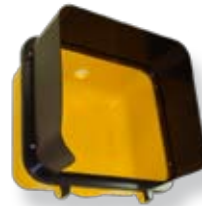


16" with Vantage Visor

Hand/Man modules (sold separately)



16" Vantage Visor (sold separately)



16" Tunnel visor (sold separately)



16" Clamshell mount (sold separately)

*Dimensions are approximate and vary based on material used

Standard Features

- Stainless steel hardware includes hinge pins (detent-type clevis or roll) and eye bolt/wing nuts (latch)
- Terminal block with quick-disconnect fittings on one side of each terminal position and screw clamps on the other side

General Specifications

Dimensions*:	12" Housing	16" Housing
Housing:	13.2" H x 13.2" W x 5.7" D	15.8" H x 17.4" W x 7.3" D
Door (incl. tabs):	13.5" H x 15.0" W x 5.6" D	18.7" H x 18.5" W x 1.8" D
Overall:	14.0" H x 15.0" W x 11.3" D	18.7" H x 18.5" W x 9.1" D
Material:	Polycarbonate: Ultraviolet and heat stabilized, flame retardant, permanently colored, 10% fiberglass reinforcement (12" standard, 16" optional) Aluminum: Type 360, reduced corrosion, increased powder coat adhesion	
Finish(es):	Polycarbonate: Colored resins integral to housing Aluminum: Powder coated	
Color(s):	Federal yellow, signal green, black, or custom colors	
Access:	Front door (1), 16": hinged top or bottom 12": hinged left or right	
Latching System:	Eye bolt assemblies	
Mounting:	Standard signal hardware	
Environmental:	Operating temperature: -37°C to +74°C Humidity: 0 to 95% (non-condensing)	
Shipping Weight:	12": Poly 5 lbs, Al 9 lbs 16": Poly 9 lbs, Al 10 lbs	

Options

- Polycarbonate 10% fiberglass fill for added durability (optional on 16", standard on 12")
- Modules: LED or incandescent; international Hand/Man symbol, "WALK"/"DON'T WALK" words
- Visors: Vantage Visor (16" only), tunnel, or cap (12" only)
- Clamshell mount (16" only - housing available pre-drilled for mount)
- Custom terminal blocks
- Door hardware permanent (roll pins) or removable (clevis pins)

To learn more about McCain's Integrated Traffic Solutions, please contact info@mccain-inc.com or call (760) 727-8100



2365 OAK RIDGE WAY // VISTA, CALIFORNIA 92081 // USA // WWW.MCCAIN-INC.COM

© 2009 McCain Inc. Updated 02/12/09. McCain reserves the right to change product specifications without notice. For the most up-to-date information, please contact McCain.