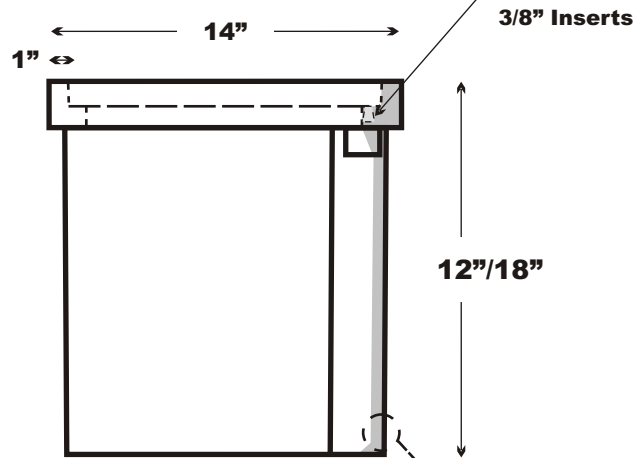
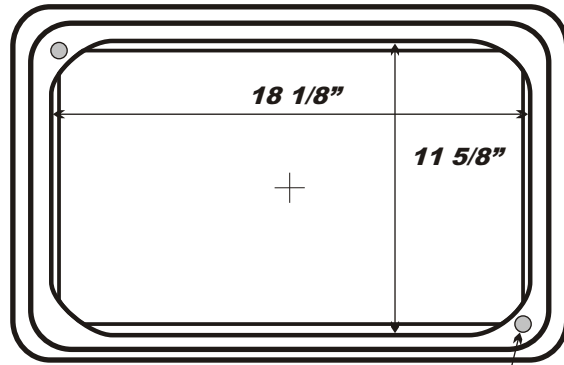
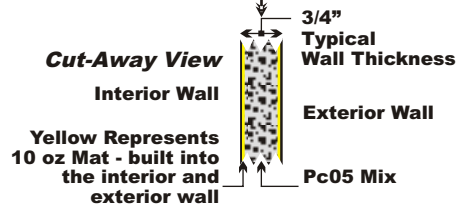


1118 Series Polymer Concrete Enclosure / Tier 15

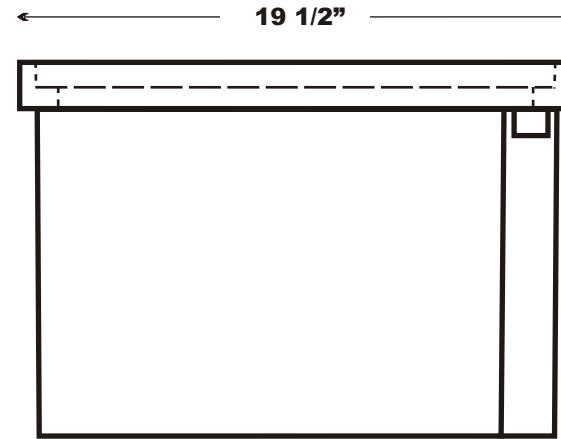
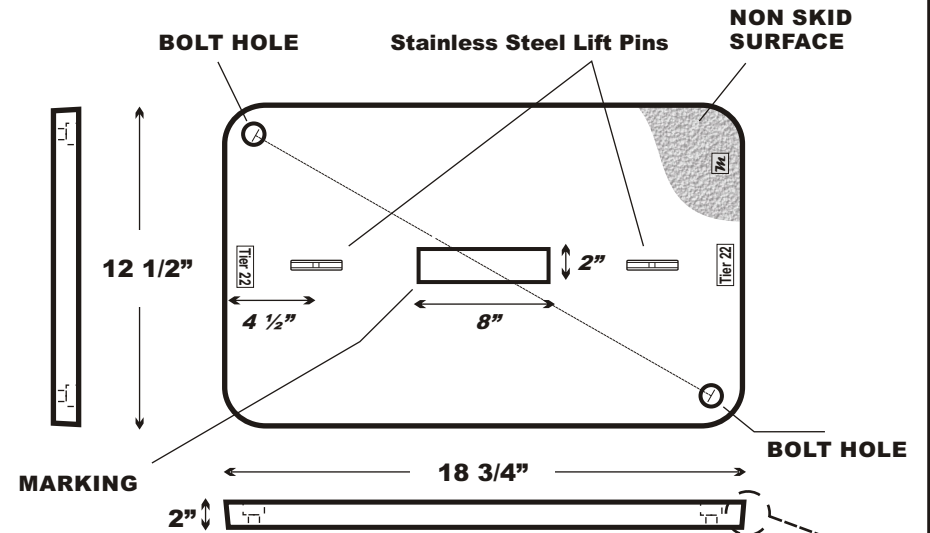
TOP VIEW



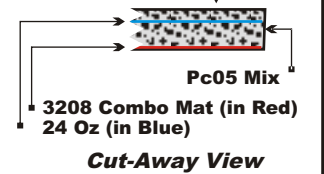
END VIEW



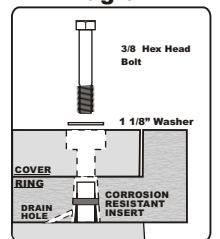
COVER VIEW



SIDE VIEW



Cover Bolt Ring Insert Diagram



Model No. 1118 PC		
BODY: POLYMER CONCRETE		
COVER: POLYMER CONCRETE		
Weight 50-56lbs.	Tolerance +/- 1/8"	ANSI / SCTE 77 Tier 15
Date March 21 2014	File 1118 PC	

SIDE VIEW



WWW.MARTINFRP.COM
Martin Enterprises
 "Your Underground Enclosure Experts"

ISO 9001:2008
 Registered Firm
 Certificate # A3395US



7231 Boulder Ave. #262
 Highland, CA 92346
 Tel: 951.928.8713
 Fax: 951.928.4623

This product design is the sole property of Martin Enterprises. This design is NOT to be altered unless written permission is allowed by Martin Enterprises only.