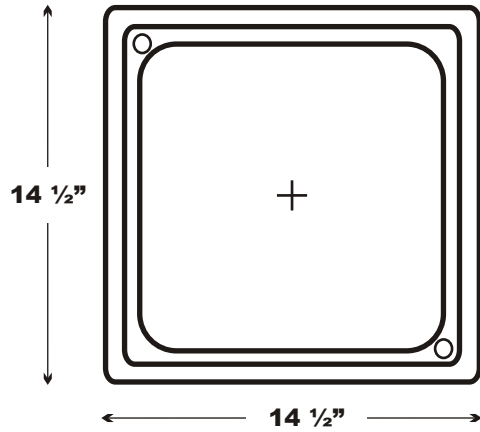
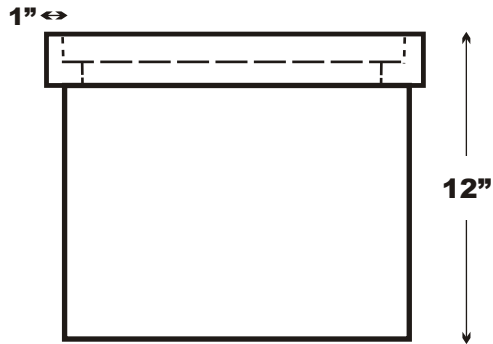
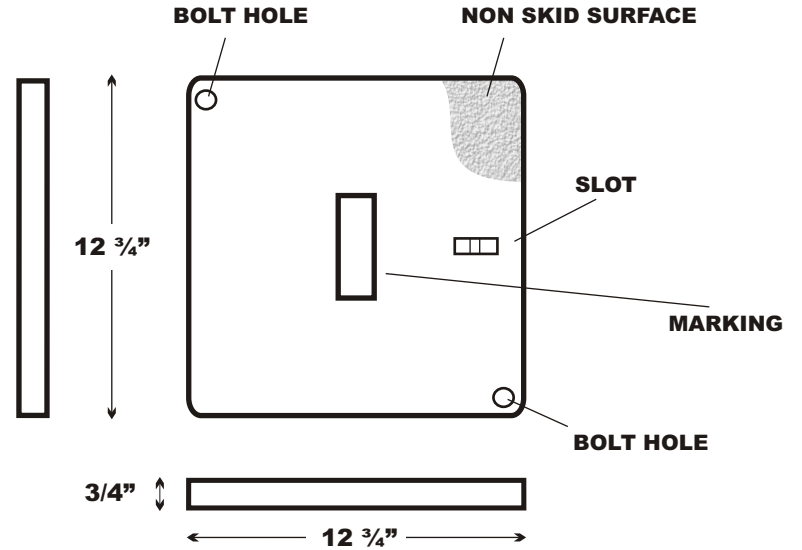


121212 PC Ring and Cover

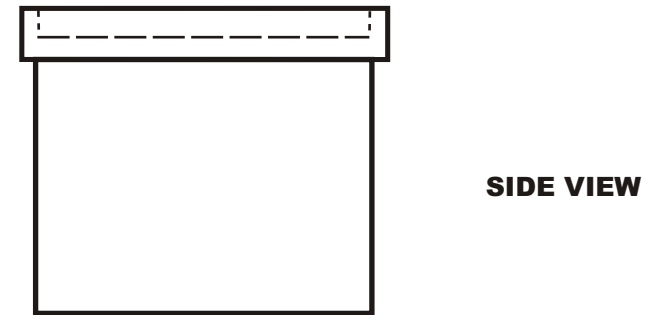
TOP VIEW



COVER VIEW



END VIEW



Part No. 121212 PC		
BODY: POLYMER CONCRETE		
COVER: POLYMER CONCRETE		
Weight 55 lbs.	Tolerance +/- 1/8"	Weight Load Tier 15
Date Oct 8 2013	File 121212 PC	



www.MARTINFRP.COM
Martin Enterprises
 "Your Underground Enclosure Experts"

7231 Boulder Ave. #262
 Highland, CA 92346
 Tel: 951.928.8713
 Fax: 951.928.4623

ISO 9001:2008
 Registered Firm

This product design is the sole property of Martin Enterprises. This design is NOT to be altered unless written permission is allowed by Martin Enterprises only.