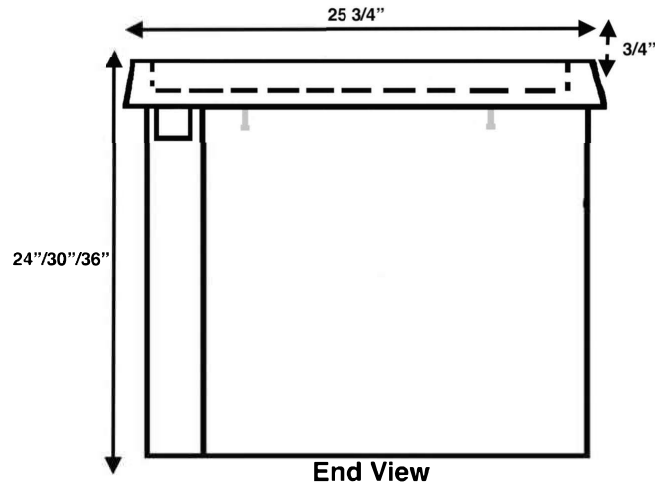
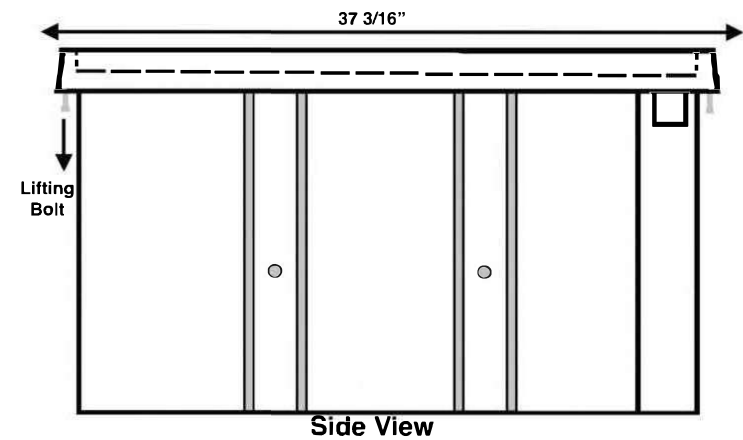
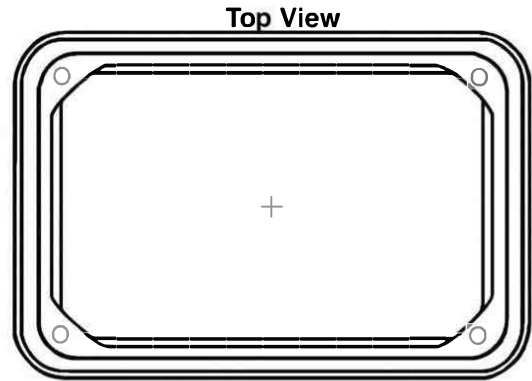
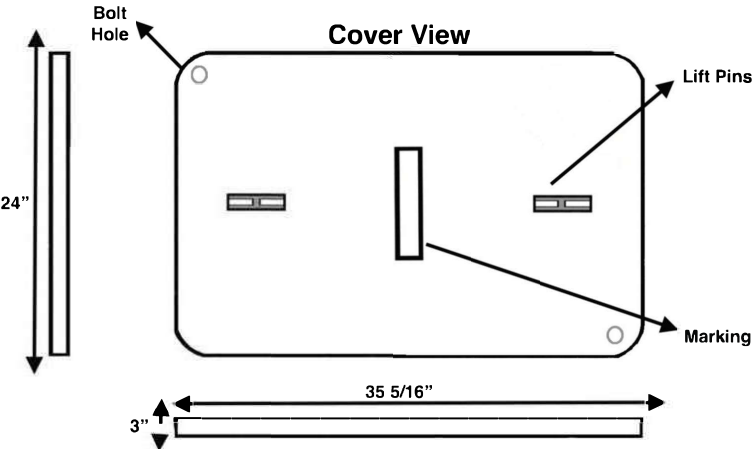


APC 243624 Polymer Concrete Box & Cover



Adams Cable Equipment
9700 Widmer Road
Lenexa, KS 66215

www.AdamsCableEquipment.com
913.888.5100

Loading Requirements
Vertical
Design Load: 22,500 lbs
Test Load: 33,750 lbs

Lateral
Design Load: 800 lbs/sq. ft.
Test Load: 1,200 lbs/sq. ft.

Part No. APC243624
Body: Polymer Concrete
Cover: Polymer Concrete
Weight: 280lb Tolerance: +/- 1/8"
Material: Polymer Concrete
Standard Color: Gray
Tier 22