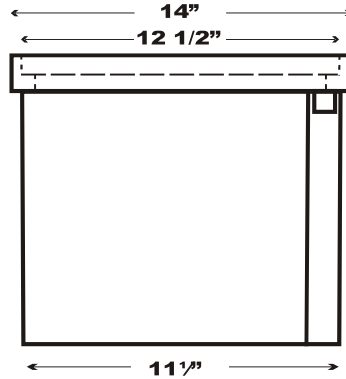
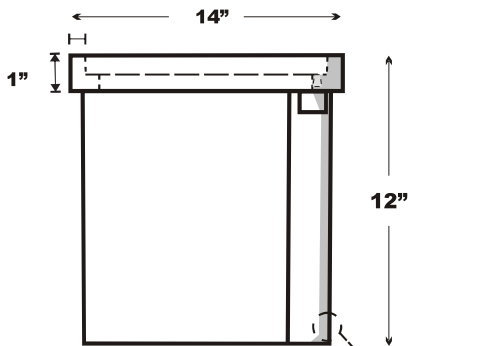
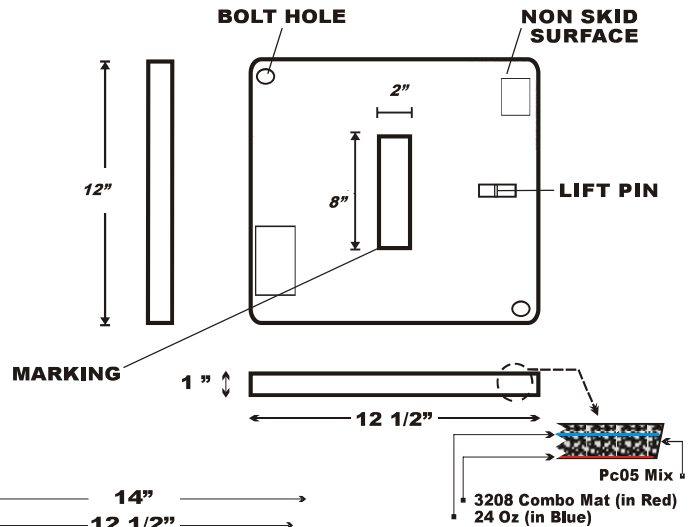
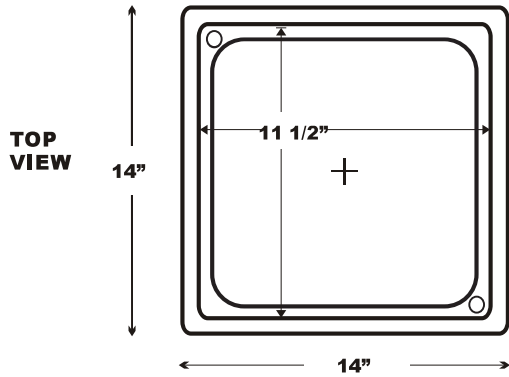


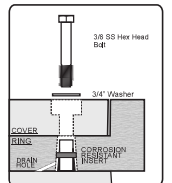
# 12x12x12 Tier 22 Polymer Concrete Box & Cover

## COVER VIEW

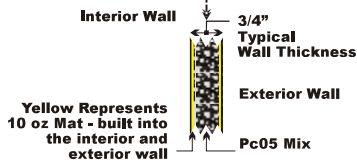


### Cut-Away View

### Hardware Detail



### Cut-Away View



<b>Part No. APC121212T22</b>
<b>Body: Polymer Concrete</b>
<b>Cover: Polymer Concrete</b>
<b>Weight: 40 lbs Tolerance: +/- 1/8"</b>
<b>Tier 22</b>