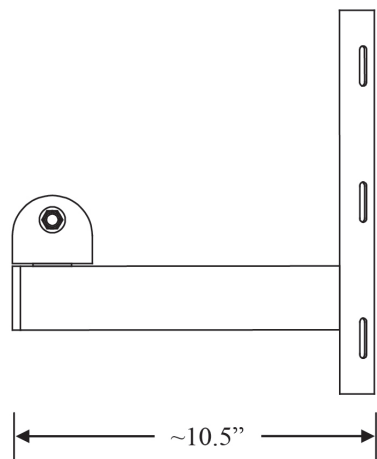
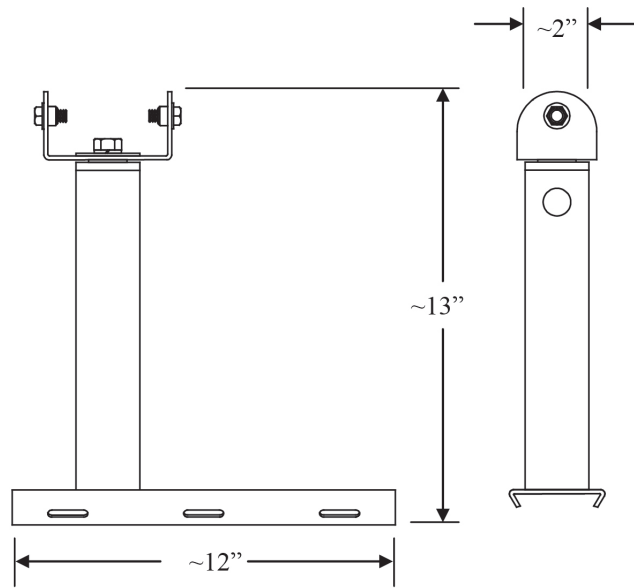




Vantage® Universal Camera Bracket

Features and Benefits

- Universal Camera Mounting
 - Horizontal for luminaire arm mounting
 - Vertical for standard pole mounting
- High strength, light weight aluminum construction
- Painted gray
- Easy pan/tilt angle adjustment
- Three banding slots for stainless steel banding of up to 3/4 inch



The Universal Camera Bracket is designed to accommodate both horizontal and vertical structure mounting. The mounting bracket mates perfectly with Iteris' wired and wireless cameras and is constructed using high strength 6061 aluminum. For added protection, the assembly is gray powder coated.



Copyright © 2020 Iteris, Inc. All rights reserved.
NOTICE: Iteris, Inc. reserves the right to change product specifications without notice. Information furnished is for informational purposes only. This information may not be complete or the latest revision. For the most up-to-date information, please contact Iteris, Inc.