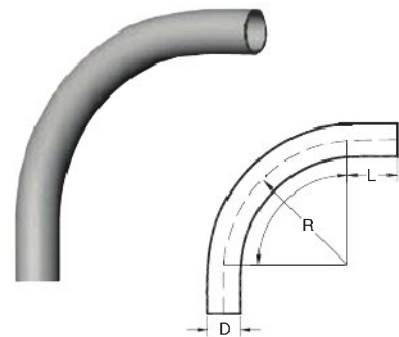


PVC Schedule 80 - Standard Radius Elbows (Plain End)

Listed to UL 651

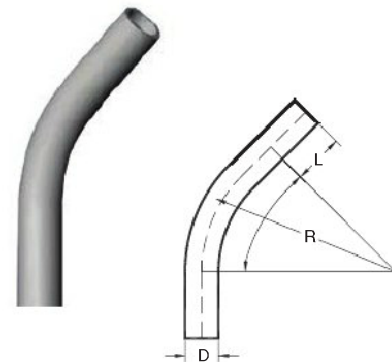
90° Elbows

Trade Size	System Part Number	Standard Package Quantity	Average O.D. (in)	Minimum Length (L) (in)	Radius (R) (in)
1/2	59012	50	0.840	1.500	4.00
3/4	59013	25	1.050	1.500	4.50
1	59014	25	1.315	1.875	5.75
1-1/4	59015	25	1.660	2.000	7.25
1-1/2	59016	25	1.900	2.000	8.25
2	59017	25	2.375	2.000	9.50
2-1/2	59018	50	2.875	3.000	10.50
3	59019	50	3.500	3.125	13.00
3-1/2	59020	25	4.000	3.250	15.00
4	59021	25	4.500	3.375	16.00
5	59022	20	5.563	3.625	24.00



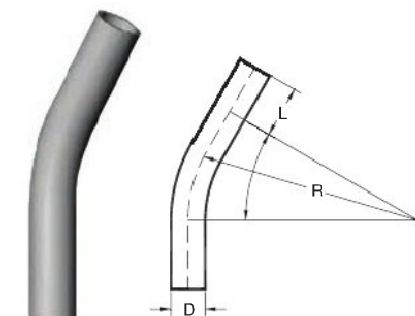
45° Elbows

Trade Size	System Part Number	Standard Package Quantity	Average O.D. (in)	Minimum Length (L) (in)	Radius (R) (in)
1/2	59000	50	0.840	1.500	4.00
3/4	59001	25	1.050	1.500	4.50
1	59002	25	1.315	1.875	5.75
1-1/4	59003	25	1.660	2.000	7.25
1-1/2	59004	25	1.900	2.000	8.25
2	59005	25	2.375	2.000	9.50
2-1/2	59006	50	2.875	3.000	10.50
3	59007	50	3.500	3.125	13.00
3-1/2	59008	25	4.000	3.250	15.00
4	59009	25	4.500	3.375	16.00
5	59010	20	5.563	3.625	24.00



30° Elbows

Trade Size	System Part Number	Standard Package Quantity	Average O.D. (in)	Minimum Length (L) (in)	Radius (R) (in)
3/4	59065	25	1.050	1.500	4.50
1	59066	25	1.315	1.875	5.75
1-1/4	59067	25	1.660	2.000	7.25
1-1/2	59068	25	1.900	2.000	8.25
2	59069	25	2.375	2.000	9.50
2-1/2	59070	20	2.875	3.000	10.50
3	59071	50	3.500	3.125	13.00
4	59072	25	4.500	3.375	16.00
5	59073	20	5.563	3.625	24.00
6	59074	16	6.625	3.750	30.00



11.25° & 22.5° Standard Radius Elbows are available upon request



Item availability may vary by region.

Special orders are non-cancelable, non-returnable and non-refundable.

www.heritageplastics.com