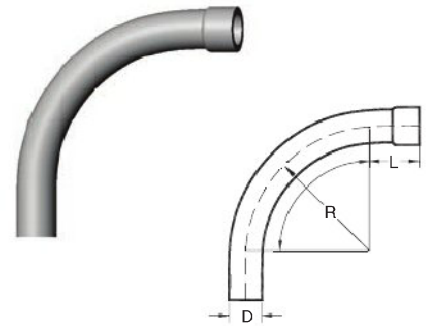


# PVC Schedule 80 - Standard Radius Elbows (Belled End)

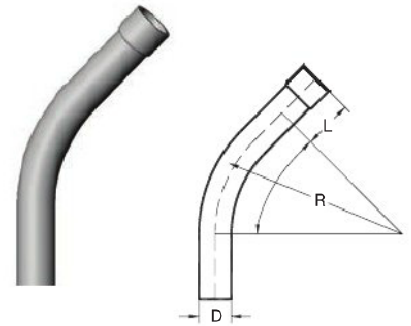
## 90° Elbows

Trade Size	System Part Number	Standard Package Quantity	Average O.D. (in)	Minimum Length (L) (in)	Radius (R) (in)
3/4	925610	25	1.050	1.500	4.50
1	924949	25	1.875	1.875	5.75
1-1/4	924954	25	1.660	2.000	7.25
2	924970	25	2.375	2.000	9.50
2-1/2	924977	50	2.875	3.000	10.50
3	924993	50	3.500	3.125	13.00
4	925006	25	4.500	3.375	16.00
5	925017	20	5.563	3.625	24.00
6	925028	16	6.625	3.750	30.00



## 45° Elbows

Trade Size	System Part Number	Standard Package Quantity	Average O.D. (in)	Minimum Length (L) (in)	Radius (R) (in)
1-1/2	903486	25	1.900	2.000	8.25
2	924967	25	2.375	2.000	9.50
2-1/2	924976	50	2.875	3.000	10.50
3	924990	50	3.500	3.125	13.00
4	925003	25	4.500	3.375	16.00
5	925015	20	5.563	3.625	24.00
6	925025	16	6.625	3.750	30.00



11.25°, 22.5° & 30° Standard Radius Elbows are available upon request



Item availability may vary by region.

Special orders are non-cancelable, non-returnable and non-refundable.

[www.heritageplastics.com](http://www.heritageplastics.com)