

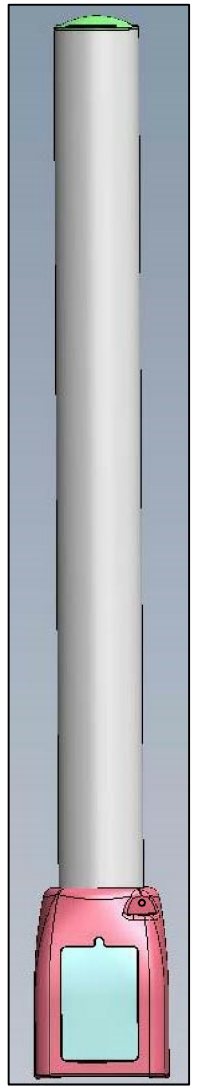
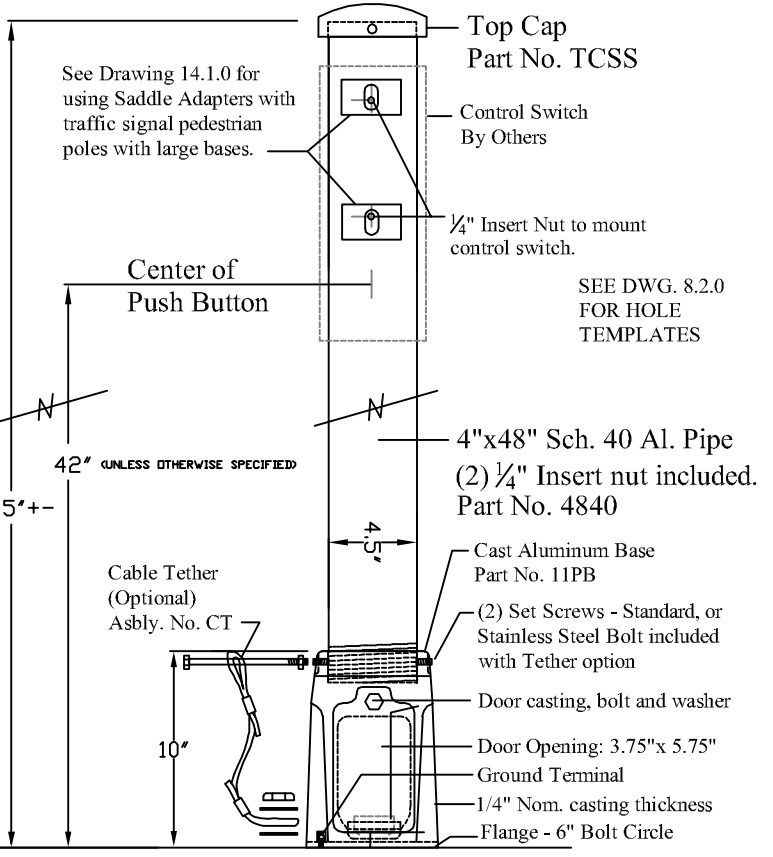
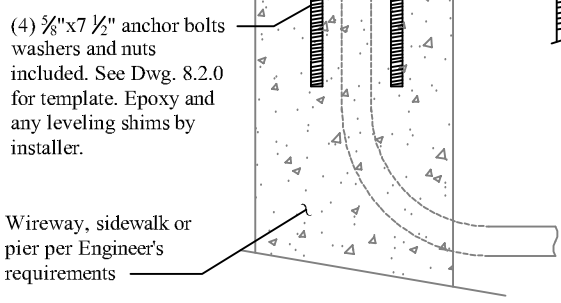
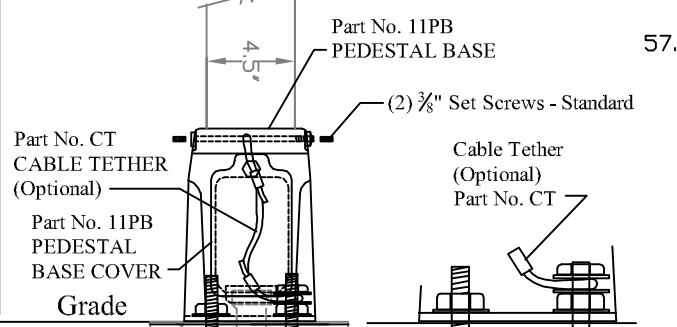
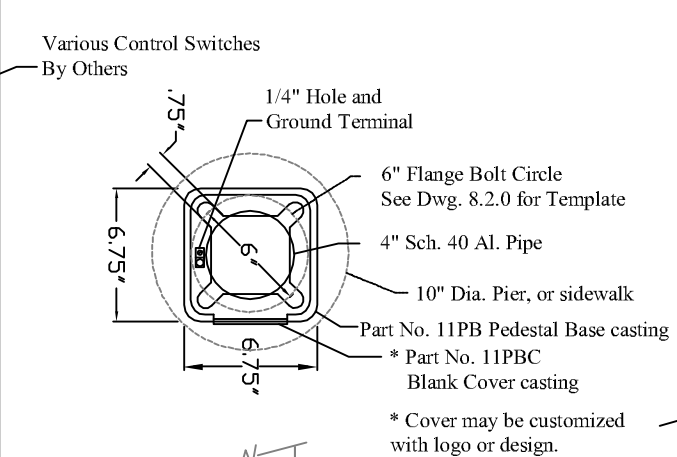
**FREY**  
**MANUFACTURING CORPORATION**  
 13150 STEWART AVE., NORWOOD, MN 55368  
 VOICE: 952-467-4402, Toll Free Fax: 1-866-941-FREY (3739)  
 Web: FreyMfgCorp.com Email: FreyMfg@cad.com

**CROSSWALK PEDESTAL**  
**CP6ACT4840TCSS\*\***  
 Complete anodized crosswalk pedestal with cable tether

**DATE**  
 11-05-13  
 3-18-14

**DWG. NO.**  
**8.1.0**

**REV.**  
**1**



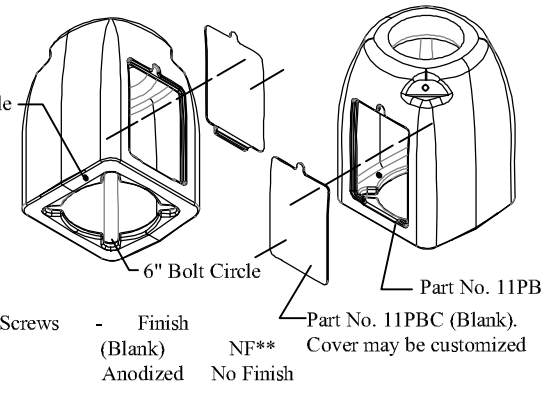
- CP6A(NF) - CROSSWALK PEDESTAL BASE ASSEMBLY INCLUDED PARTS:**
- (1) 11PB ANODIZED\*\* ALUMINUM BASE
  - (1) 11PBC ANODIZED\*\* BLANK ALUMINUM BASE COVER\*
  - (2) 3/8" SS SET SCREWS (OR SEE TETHER OPTION)
  - (1) 1/4" SS COVER BOLT AND LOCK WASHER
  - (1) 25ABPK ANCHOR BOLT KIT: (4) 3/8"x7 1/2" SS FT BOLTS, 3/8" FLAT WASHERS & NUTS (EPOXY & ANY REQUIRED LEVELING SHIMS BY INSTALLER)
  - (1) 14-4 CU GROUND LUG
  - (1) 1/4" SS GROUND LUG BOLT
- \* Cover may be ordered with custom logo or design.

- 4840(NF) - ALUMINUM PIPE ASSEMBLY INCLUDED PARTS:**
- (1) 48" SCHEDULE 40 ANODIZED\*\* ALUMINUM PIPE ONE END THREADED
  - (2) IN440 1/4" INSERT NUTS FOR 4" SCHEDULE 40 PIPE

- TCSS(NF) - TOP CAP ASSEMBLY INCLUDED PARTS:**
- (1) TOP CAP ANODIZED\*\* ALUMINUM CASTING
  - (3) 1/4" SS SET SCREW

- OPTIONAL - CT CABLE TETHER KIT ASSEMBLY INCLUDED PARTS:**
- (1) 5/16" BOLT
  - (1) 18" WIRE CABLE
  - (2) 3/8" FLAT WASHER
  - (1) 5/16" LOCK WASHER & NUT
  - (2) CABLE CLIPS
  - (1) 3/8" JAMB NUT.

NOTE: APPLY ANTI-SEIZE LUBRICANT TO ALL THREADED SURFACES.



# Crosswalk Pedestal

**CP6ACT4840TCSS**

Complete anodized crosswalk pedestal with cable tether.  
 Control Switch not included.

BUILD CATALOG NUMBER FROM BELOW ASSEMBLIES

Crosswalk Pedestal Base w/ 6" Bolt Circle, Cover & Anchors - Optional Cable Tether - 48" Schedule 40 Aluminum Pipe - Top Cap w/Set Screws - Finish (Blank) Anodized

CP6A \* CT (or leave blank) 4840 TCSS NF\*\*

Cover may be customized No Finish

\* Cover may be ordered with custom logo or design. Base with no Anchors would be ordered as CP6. \*\* Must specify No Finish as NF.

Not To Scale