

REVISIONS

REV.	DESCRIPTION	APPD/DATE	E.O. NO.
E	ADDED NOTE 1, UPDATED OMRON P/N'S	J. YACKLE 6-11-90	16046
F	UPDATE OMRON P/N'S	R.E. TODD 10-31-90	16153
G	ADDED P3 TO SHEET 2	R.E. TODD 11-28-90	16164
H	UPDATE P3 MK2EPUAAC120 WAS: MK2PS-AC120	R.E. TODD 2-05-91	16198
I	UPDATE P3 MK2PS-AC120 WAS: MK2PUAAC120	R.E. TODD 5-11-93	16477
J	UPDATED P58 OMRON CAT NO.	R.E. TODD 5-11-93	16810
K	ADD P54	R.E. TODD 4-9-97	17195
L	SEE ECO	S. GILLESPIE 2-24-10	23755
M	SEE ECO	B. NUESSE 7-09-10	23984
N	SEE ECO	B. NUESSE 8-25-10	24054
P	SEE ECO	B. NUESSE 8-15-11	24523
R	SEE ECO	S. LUU 01-03-11	24756
T	SEE ECO	G. RIOS 10-16-12	25210
U	SEE ECO	G. RIOS 04-16-13	25477

COIL DATA FOR KRP RELAYS

DC			AC		
VOLTS	RESISTANCE IN OHMS	AV. CURRENT MILLIAMP	VOLTS	RESISTANCE IN OHMS	AV. CURRENT MILLIAMP
6	32	188	6	6.0	335
12	120	100	12	21	168
24	472	51	24	75	84
48	1,800	26.6	120	2,250	17.5
115	10,000	11.5	240	9,110	8.75

NOTES: UNLESS OTHERWISE SPECIFIED

MATERIAL:

FINISH:

This drawing is the property of ECONOLITE CONTROL PRODUCTS who claims proprietary rights in the material disclosed. It is issued in confidence for engineering information only and may not be copied or used for manufacture on anything shown without specific written permission from ECONOLITE CONTROL PRODUCTS.



3360 E. LA PALMA
ANAHEIM, CALIFORNIA 92806

DRAWN: T.W.S.	DATE: 9-14-66
CHECKED: PAYNE	9-15-66
APPROVED: J.K.	4-67

TITLE

RELAY- MEDIUM DUTY GENERAL PURPOSE

TOLERANCES: UNLESS OTHERWISE SPECIFIED

DECIMALS	ANGLES	HOLES:
.X ± .050	± 30'	UNDER 1" = +.003 -.002
.XX ± .030		
.XXX ± .015		

SCALE NONE	SHEET 1 OF 7	SIZE A	DRAWING NO. 54408	REV U
---------------	--------------	-----------	----------------------	----------

54408P: RELAY, MEDIUM DUTY, GENERAL PURPOSE, ENCLOSED,
POTTER & BRUMFIELD TYPE KRP OR KRPA,
OMRON TYPE MK2, MK3

INSULATION MATERIAL: LAMINATED PHENOLIC.

INSULATION RESISTANCE: 100 MEGAOHMS @ 500VDC

EXPECTED LIFE: 5 MILLION MECHANICAL OPERATIONS, MINIMUM.

100,000 ELECTRICAL OPERATIONS, MINIMUM @ RATED LOAD

BREAKDOWN VOLTAGE: 1000 V RMS 60Hz BETWEEN ALL ELEMENTS.

TEMPERATURE RANGE: AC; +55° C MAXIMUM, DC; +70° C MAXIMUM.

OPERATE: 80% OF NOMINAL VOLTAGE @25° C.

ENCLOSURE: DUST PROOF COVER OF TRANSPARENT HIGH-IMPACT POLYCARBONATE.

TIME VALUES (APPROX): OPERATE/ RELEASE; 20 MILLISECONDS.

THESE VALUES DO NOT INCLUDE BOUNCE.

CONTACT RATINGS: 5 OR 10 AMPS @120 V, 60Hz OR 28 VDC RESISTIVE.

CONTACT MATERIAL: 5 AMPS, .125 DIA. GOLD-FLASHED SILVER, 10 AMPS,
.188 DIA. SILVER-CADMIUM-OXIDE.

POWER: DC; 1.5 WATTS STANDARD.

AC: 2 VOLT-AMPERES NOMINAL.

TERMINALS: SEE SHEET 3.

TYPE KRP-N ARE KRP RELAYS WITH AN INDICATOR LAMP FOR
CURRENT MONITORING OR TROUBLE-SHOOTING APPLICATIONS.
LAMP LIGHTS WHEN COIL IS ENERGIZED.

54408P: RELÉ, TRABAJO MEDIANO, USO GENERAL, ENCAPSULADO,

KRP O KRPA TIPO POTTER Y BRUMFIELD, MK2, MK3 TIPO OMRON

MATERIAL AISLANTE: FENÓLICA LAMINADA.

RESISTENCIA DEL AISLANTE: 100 MEGAOHMS @ 500VDC

DURACIÓN DE VIDA: 5 MILLONES DE OPERACIONES MECÁNICAS, MÍNIMO

100,000 OPERACIONES ELÉCTRICAS, MÍNIMAS CON UNA CARGA CLASIFICADA.

TENSIÓN DE FALLA: 1000 V RMS 60Hz ENTRE TODOS LOS ELEMENTOS.

RANGO DE TEMPERATURA: AC; +55° C MÁXIMO, DC; +70° C MÁXIMO.

FUNCIÓN: 80% DEL VOLTAJE NOMINAL A 25° C.

CAJA: CUBIERTA A PRUEBA DE POLVO DE ALTO IMPACTO DE POLICARBONO TRANSPARENTE.

VALORES DE TIEMPO (APROX): OPERACIÓN/LIBERACIÓN; 20 MILLISEGUNDOS.

ESTOS VALORES NO INCLUYEN REBOTE.

RANGOS DE CONTACTO: 5 O 10 AMPS @120 V, 60Hz O 28 VDC RESISTIVA.

MATERIAL DE CONTACTO: 5 AMPS, .125 DIA. GOLD-FLASHED SILVER, 10 AMPS,
.188 DIA. OXIDO DE PLATA CADMIO.

CORRIENTE: DC; 1.5 WATTS ESTÁNDARES.

AC: 2 VOLT-AMPERES NOMINALES.

TERMINALES: VER HOJA 3.

LOS TIPO KRP-N SON RELÉS KRP CON UNA LÁMPARA INDICADORA PARA EL
MONITOREO DE CORRIENTE O APLICACIONES DE SOLUCIÓN DE PROBLEMAS.
LA LÁMPARA ENCIENDE CUANDO LA BOBINA SE ACTIVA.

SCALE
1:1

F.C.F.

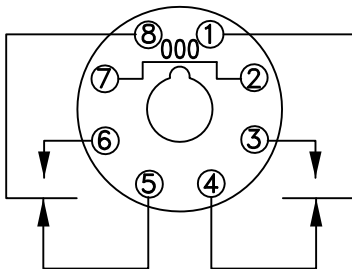
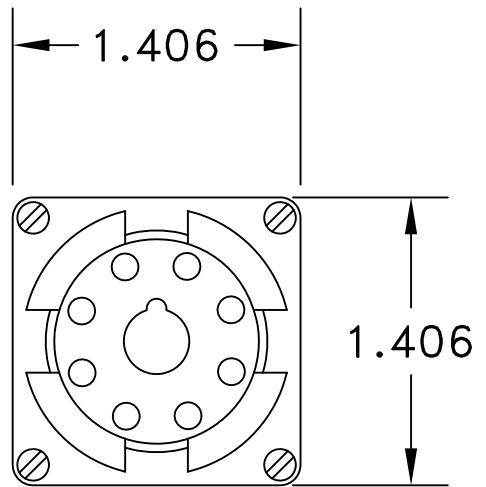
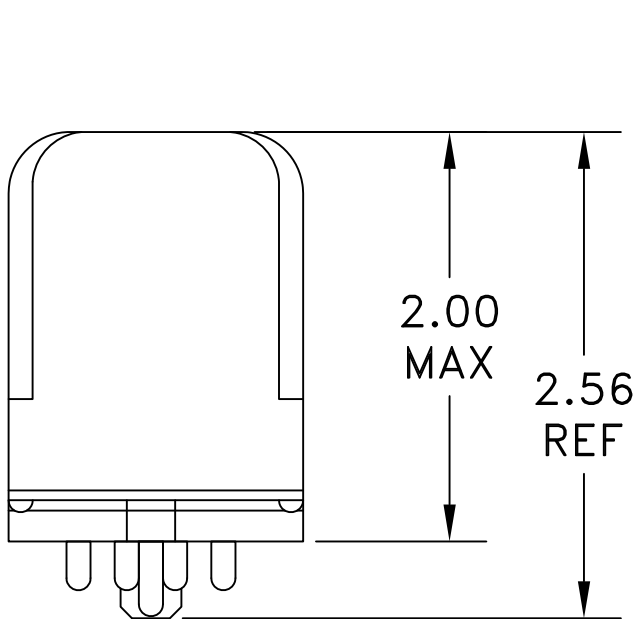
SHEET 2 OF 7

SIZE
A

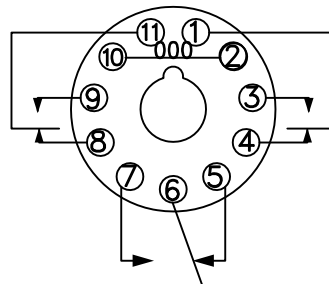
DRAWING NO.

54408

REV
U



KRP-11 OR MK2
DPDT



KRP-14 OR MK3
3PDT

CIRCUIT DIAGRAMS

SCALE
1:1

F.C.F.

SHEET 3 of 7

SIZE
A

DRAWING NO.

54408

REV
U

MFR: POTTER & BRUMFIELD TYPE KRP
 OMRON TYPE MK

1

REV.	P/NO.	POLES	VOLTS	AMPS	POTTER & BRUMFIELD CAT NO.	OMRON CAT NO.
K	P3	DPDT	120VAC	10	KRP11DG120AC	MK2PS-AC120
K	P6	3PDT	120VAC	10	KRP14AG120V	MK3EPUAAC120
K	P8	DPDT	24VDC	5	KRP11DY24V	MK2PSDC24
K	P12	DPDT	24VDC	10	KRP11DG24V	MK2EPUADC24

1 PREFERRED PART

NOTES:

MFR: POTTER & BRUMFIELD TYPE KRP
OMRON TYPE MK

1

REV.	P/NO.	POLES	VOLTS	AMPS	TYCO (POTTER & BRUMFIELD) CAT NO.	OMRON CAT NO.
NC	P37	**3PDT	120VAC	5	KPP14AY120	
L	P38	3PDT	120VAC	5	7-1393104-0 (KRPA-14AGP-120)	MK3P5SAC120
K	P39	3PDT	240VAC	5	KRP14A	MK35SAC240
	P43	3PDT	240VAC	10	KRP14AG	MK3EPUAAC240
K	P46	3PDT	24VDC	5	KRP14DY24V	MK3P5SDC24
	P50	3PDT	24VDC	10	KRP14DG24V	MK3EPUADC24
* L	P54	DPDT	120VAC	10	KRPA-11AGP-120	MK2PNSAC120
N	P58	DPDT	24VDC	10	KRP11DN24V MFR: MAGNECRAFT	MK2PNS-DC24 MFR P/N: 750BXM4L-24D
K	P63	3PDT	120VAC	10	KRP14AN120V	MK3EPNUAAC120
	P64	3PDT	240VAC	10	KRP14AN	MK3EPNUAAC240
NC	P65	DPDT	120VAC	10	KRPA-11AN-120***	

* INDICATES 8 PIN RELAY

** INDICATES NO PUSH BUTTON ON RELAY

*** INDICATES THAT SUBSTITUTIONS ARE NOT PERMITTED FOR THIS ITEM.