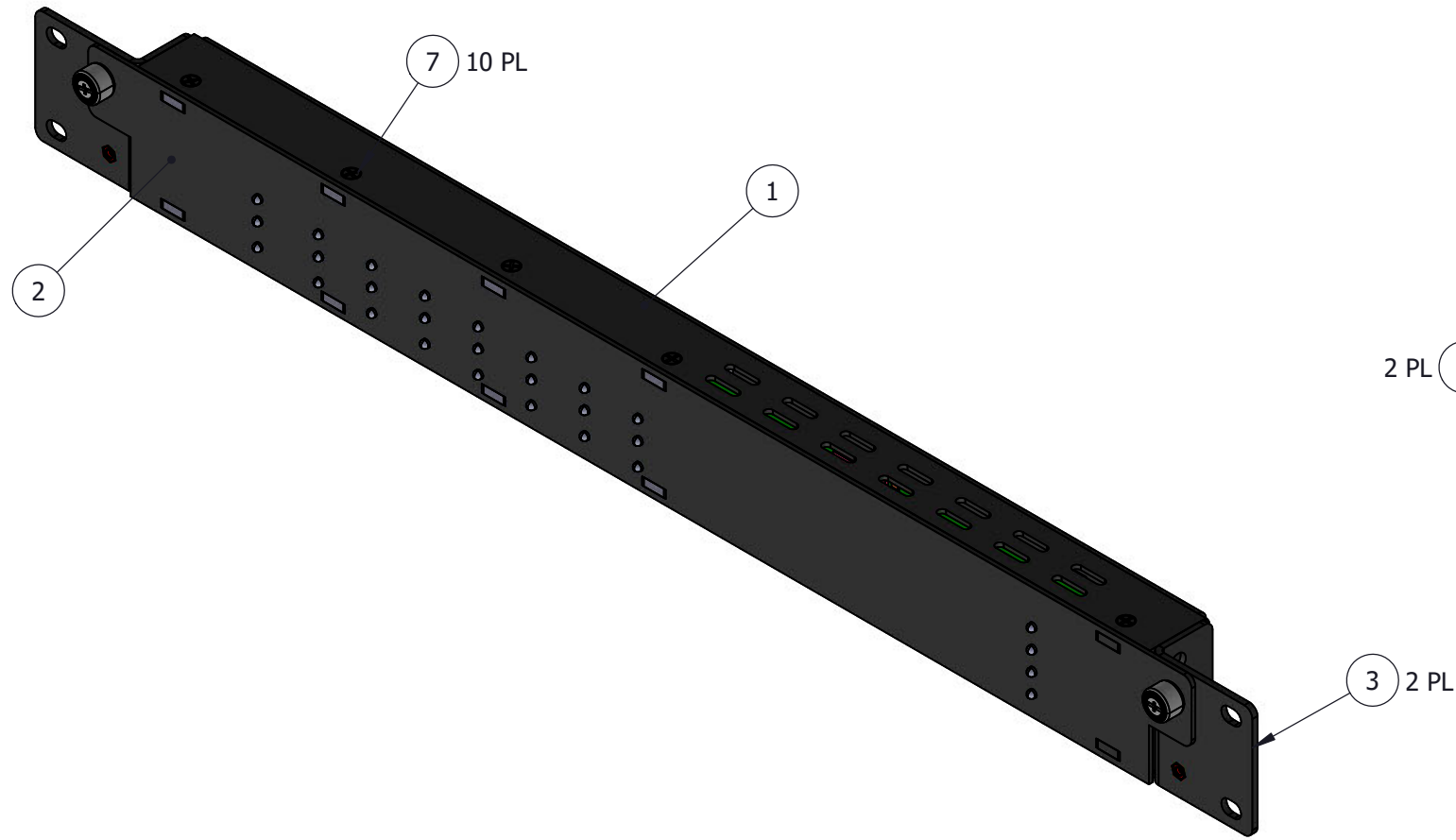


2

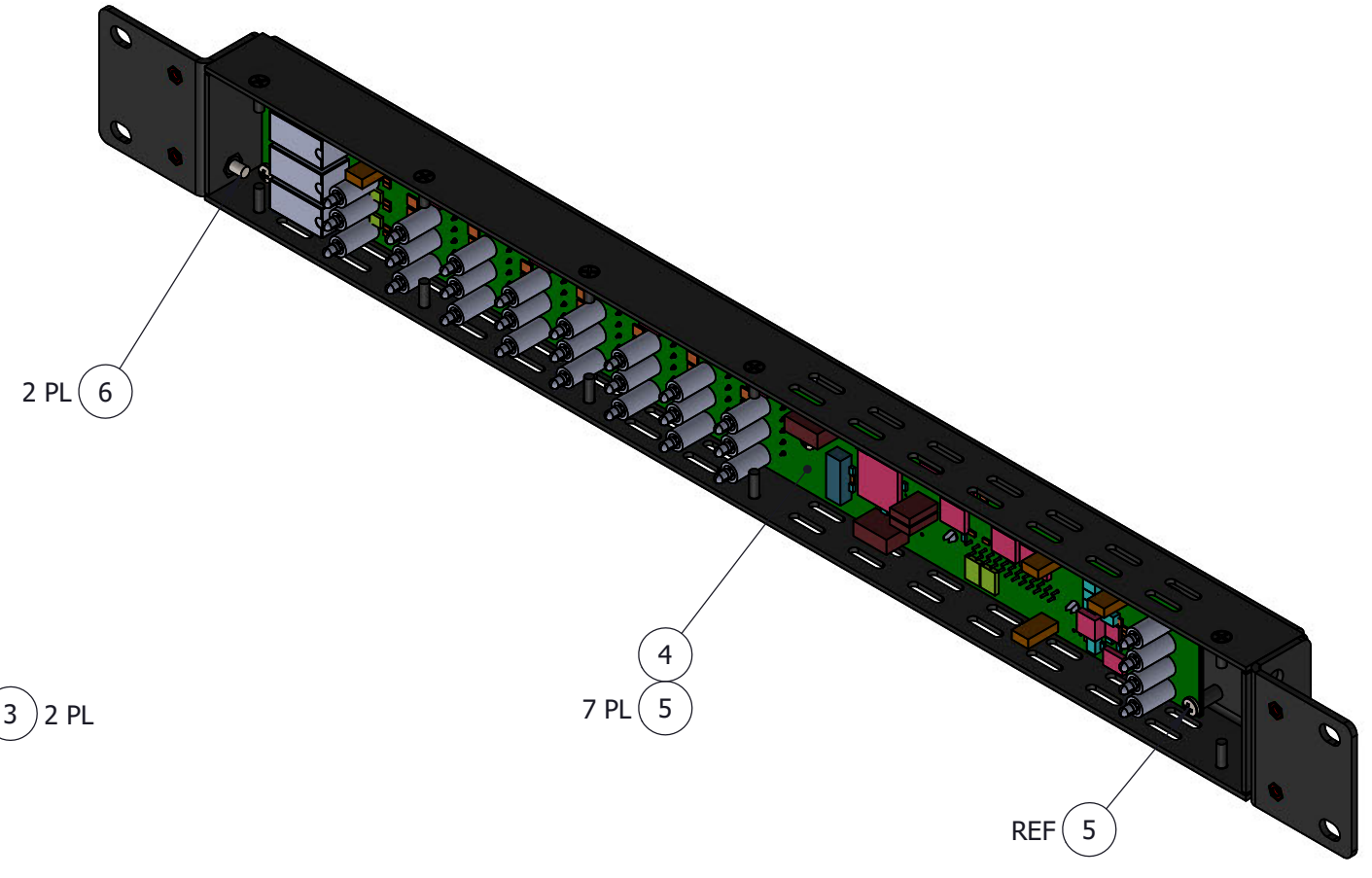
1

NOTES: (UNLESS OTHERWISE SPECIFIED)


| REVISIONS | | | | |
|-----------|------|---------------|----------|-------|
| REV. | BY | E.C.O. NUMBER | DATE | APPRD |
| NC | A.K. | 30985 | 09-25-20 | U.R. |
| A | A.K. | C04001 | 07-12-21 | U.R. |



-501 SHOWN



-501 SHOWN
(W/O COVER)

| | | | | | |
|---|------------------------------------|--|--------------------|------------------------------------|------------------|
| -501 | | AUXILIARY INPUT/OUTPUT ASSEMBLY, ATCC GS | | | |
| DASH No. | | DESCRIPTION | | | |
| UNLESS OTHERWISE SPECIFIED DIMENSIONS ARE IN INCHES DEBURR AND BREAK ALL SHARP EDGES PART MUST BE FREE OF ANY FOREIGN CONTAMINANTS TOLERANCE DECIMAL: X ± .05 XX ± .03 XXX ± .015 ANGULAR: ± 0°30' HOLES: UNDER 1" = +.003 / -.003 <small>This drawing is the property of ECONOLITE CONTROL PRODUCTS who claims proprietary rights in the material disclosed. It is issued in confidence for engineering information only and may not be copied or used for manufacture on anything shown without specific written permission from ECONOLITE CONTROL PRODUCTS.</small> | DRAWN ALEX KIM 7/8/2020 |  1250 N. TUSTIN AVE. ANAHEIM, CALIFORNIA 92807 TITLE AUXILIARY INPUT/OUTPUT ASSY, ATCC GENERAL SPEC, | | | |
| | DESIGN ALEX KIM 7/8/2020 | | | | |
| | CHECK URIEL ROMERO 9/25/2020 | | | | |
| | ENGINEER JIM ROSE 9/25/2020 | | | | |
| APPRD JIM ROSE 9/25/2020 | MATERIAL ---- | SIZE B | CAGE CODE OFEW7 | DRAWING NO. 177-1018-5XX | REV. A |
| DO NOT SCALE DRAWING | | FINISH ---- | SCALE: 1:4 | CAD FILE: 177-1018-5xx.SLDDRW | Sheet 1 Of 1 |

MODEL FILE:
177-1018-501.SLDPRT