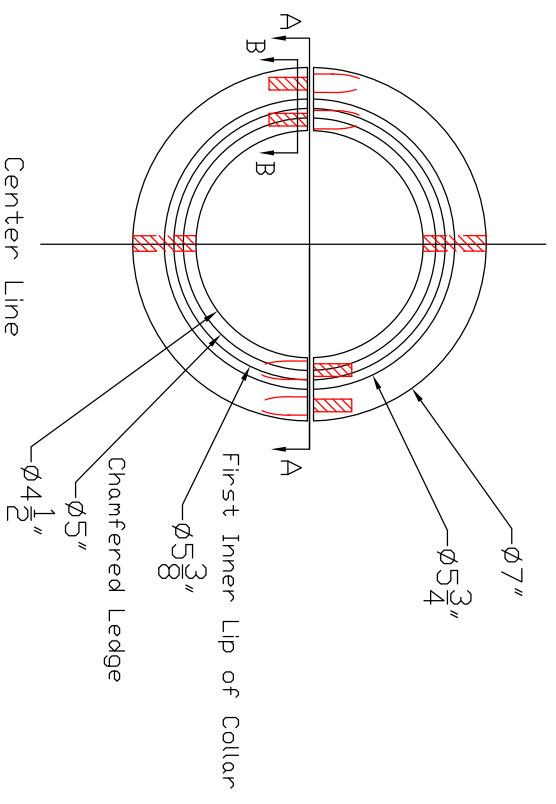
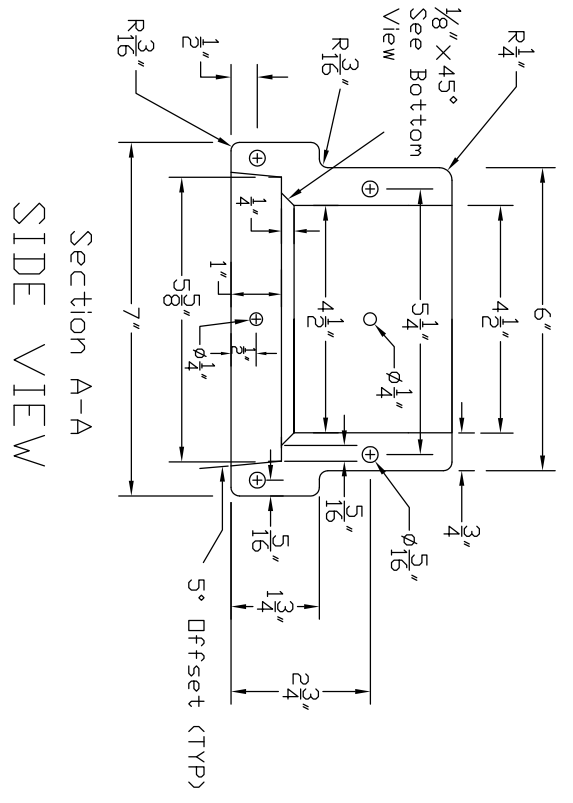
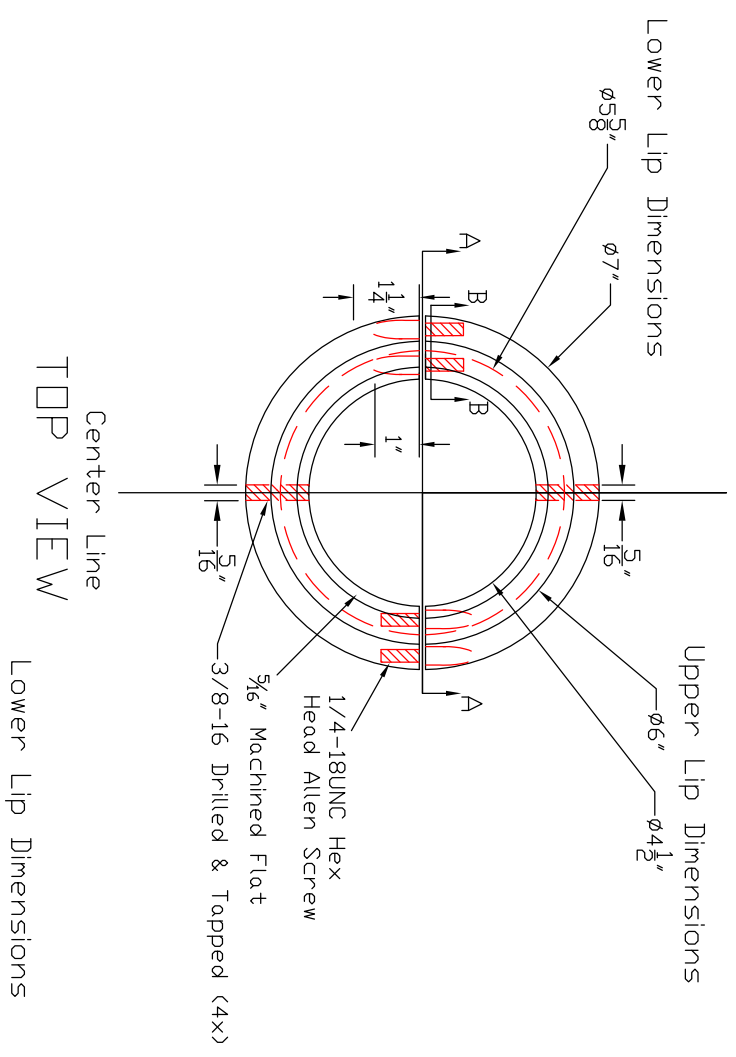


REVISIONS				
ZONE	REV	DESCRIPTION	DATE	APPROVED
	A	ORIGINAL DRAWING	12 DEC 08	RRM



- Hardware:
- 4 pcs 1/4-20 x 3/4" SS Socket head cap screws
 - 4 pcs 3/8-16 x 5/8" SS Set screws
- 5/16" Allen Head Screw
- (2 each Side of Collar)
- Section B-B 2:1
- 1/2"
- 5/8"
- R 5/32"

Component Products, Inc.
 521 Morse Avenue
 Schaumburg, IL 60193
 Tel (847) 301-1000
 Fax (847) 301-0100

CPI-RBC-1
 Reinforcing Collar

CAST ALUMINUM	SIZE	Drawn By:	DWG NO.	REV
	D	RRM	CPI-RBC-1_12 DEC 08	D
SCALE	SHEET			