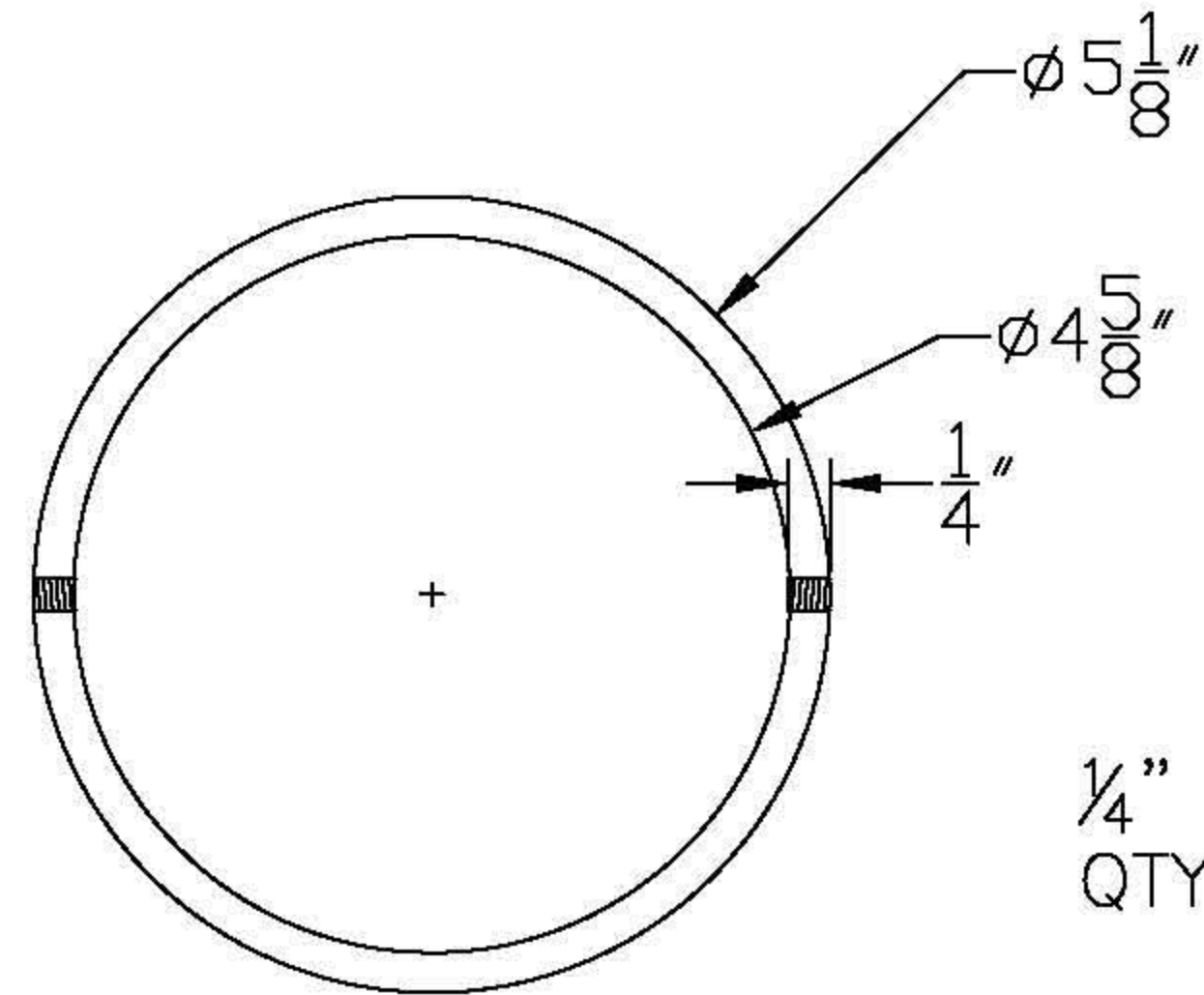
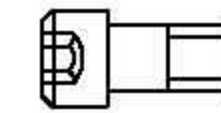


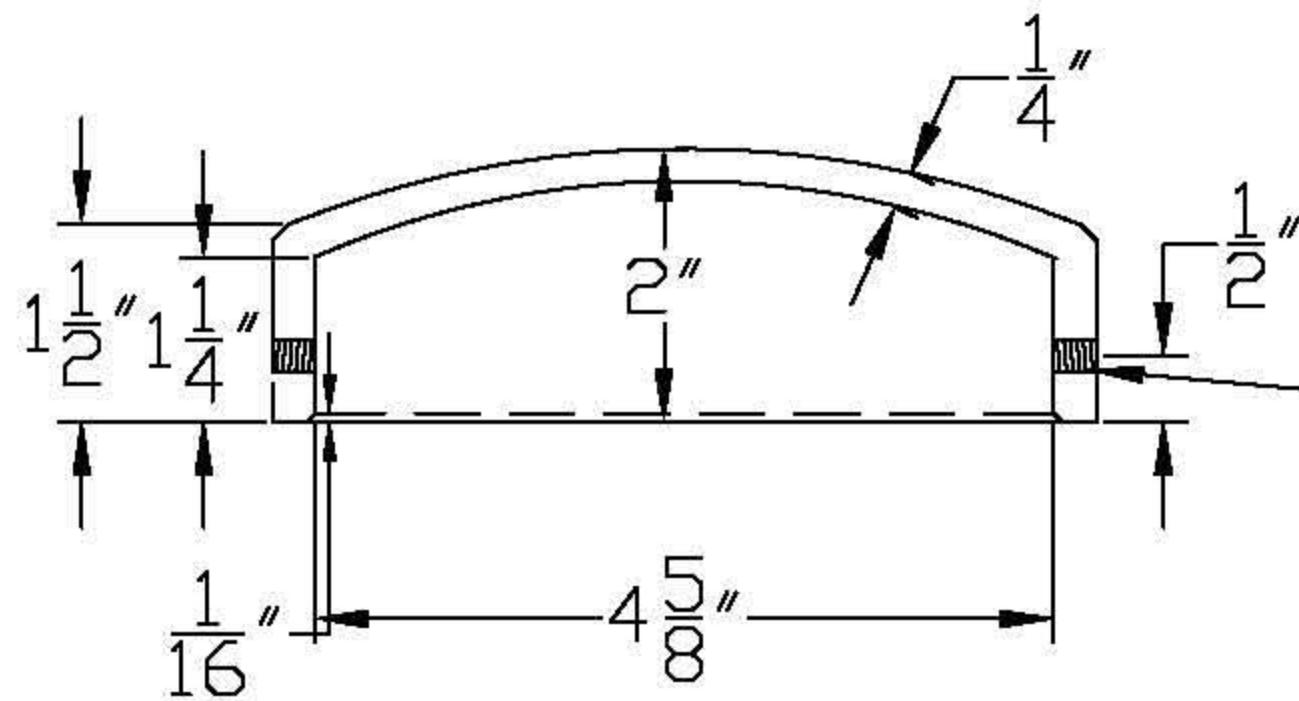
REVISIONS				
ZONE	REV	DESCRIPTION	DATE	APPROVED
	A	Original Drawing	19 DEC 08	RRM
	B	319 Cast Aluminum	22 JUL 10	JJG



TOP VIEW



1/4" - 20 UNC X 3/4" Hex Screw
QTY = 3



SIDE VIEW

Drill & Tap 1/4-20
3 @ 120° Apart

Tolerance
Unless otherwise specified:
1-place decimal = ±.030
2-place decimal = ±.015
3-place decimal = ±.005
Fractional = ±1/64"

Component Products, Inc.
521 Morse Avenue
Schaumburg, IL 60193
Tel (847) 301-1000
Fax (847) 301-0100

CPI-APC-1

4" Aluminum Pole Cap

Material 319 Cast Aluminum	SIZE A	Drawn By: RRM	DWG NO. CPI-APC-1	REV B
SCALE				SHEET