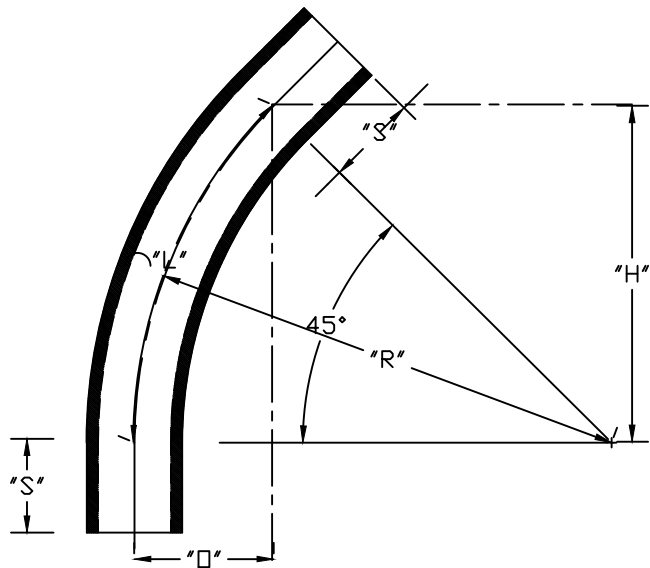


PART NUMBER	SIZE	"R"	"O"	"H"	"S" MIN	"B" MIN	"L"
5121003	½"	4"	1 ⅜"	2 ⅞"	1 ½"	N/A"	3 ⅛"
5121004	¾"	4 ½"	1 ⅝"	3 ⅜"	1 ½"	N/A"	3 ½"
5121005	1"	5 ¾"	1 ⅞"	4"	1 ⅞"	N/A"	4 ½"
5121006	1 ¼"	7 ¼"	2 ⅛"	5 ⅛"	2"	N/A"	5 ⅞"
5121007	1 ½"	8 ¼"	2 ⅜"	5 ⅞"	2"	N/A"	6 ½"
5121008	2"	9 ½"	2 ⅜"	6 ¾"	2"	N/A"	7 ½"
5121009	2 ½"	10 ½"	2 ⅞"	7 ⅜"	3"	N/A"	8 ¼"
5121010	3"	13"	3 ⅜"	9 ⅜"	3 ⅛"	N/A"	10 ¼"
5121011	4"	16"	4 ⅞"	11 ⅞"	3 ⅜"	N/A"	12 ⅝"
5121012	5"	24"	7"	17"	3 ⅝"	N/A"	18 ⅞"
5121013	6"	30"	8 ⅜"	21 ¼"	3 ¾"	N/A"	23 ⅞"



ETL LISTED
 CONFORMS TO UL651
 ETL CONTROL #3107144
 CONFORMS TO NEMA TC3
 SEE NEC ARTICLE 352 FOR USE
 MATERIAL IS RIGID PVC
 BEND TOLERANCE IS ±2°



CANTEX INC. Fort Worth, TEXAS		
45° Elbows Plain End Schedule 80 Standard Radius Elbows		
Drawn By: O.M.	Date: 5/12/17	Ref. 5121003